



QM lighting

QM-03011

9 × 1W Beam Light



Add: 3F, HuShanRoad, No. 13, Daguangkan Industrial Zone, Bantian, LonggangDistrict, Shenzhen,

Guangdong, China

Tel: 86-755-84714721 Fax: 86-755-84714707

E-mail: qm@qmlighting.com

Website: www.qmlighting.com

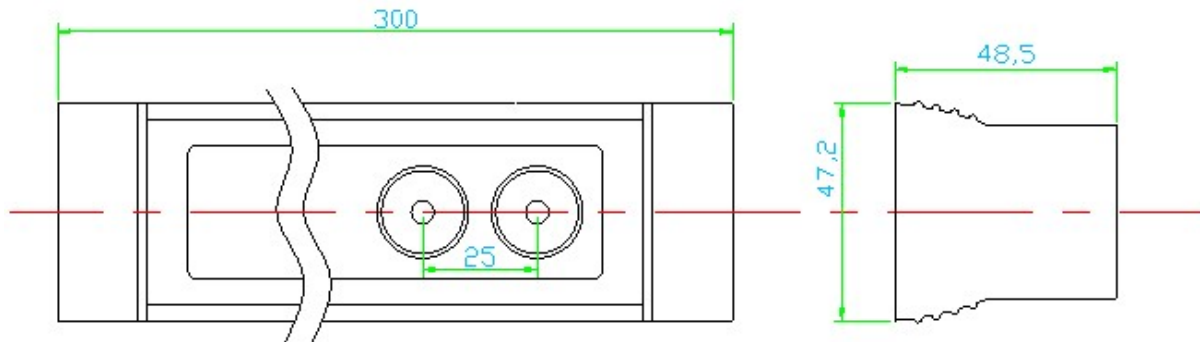
Copyright© 2008 QM Lighting, Inc. All rights reserved.

version : 1.0



QM lighting

Dimensions



Unit: mm

Tolerance: ± 2.5 mm

Specifications

- BULB TYPE: Beam Light 9X1W
- BASE TYPE: 2pin/3Pin
- INPUT VOLTAGE: 85--260V AC with reversed polarity protect
- INPUT POWER: 10W
- OUTPUT POWER: 9W
- TOTAL LENGTH: 300mm
- BEAM ANGLE: 15/25/30/45/60degrees
- REFLECTOR EFFICIENCY: 85%
- LIGHT SOURCE: 9X1 W high power LED
- LED OUTPUT CURRENT: 320mA
- BODY TEMPERATURE: $< 55^{\circ}\text{C}$
- LED WORKING TEMPERATURE: $-20^{\circ}\text{C} \sim 50^{\circ}\text{C}$
- FULL RANGE OF COLORS: cool white, warm white, blue, green ,red,yellow ,RGB
- NET WEIGHT: 550g
- ALUMINIUM HOUSING
- NO UV OR IR RADIATION
- SAFETY ASSURANCE: CE&RoHS

Illuminance and Beam Angles

part no.	LED Brand	Color	wavelength/CCT (nm/K)	Luminous Flux (LM)	Power	Color-rendering index	Light Effect (lm/W)
QM-03011-001	Cree	cool white	5000-7000K	360	9.8	70 ~ 75	37
QM-03011-002		Nature white	3500-5000K	344	10	80 ~ 85	34
QM-03011-003		warm white	2700-3500K	344	10	80 ~ 85	34

Add: 3F, HuShanRoad, No. 13, Daguangkan Industrial Zone, Bantian, LonggangDistrict, Shenzhen,

Guangdong, China

Tel: 86-755-84714721 Fax: 86-755-84714707

E-mail: qm@qmlighting.com

Website: www.qmlighting.com

Copyright© 2008 QM Lighting, Inc. All rights reserved.

version : 1.0



QM lighting

cool white

CIE Parameter:

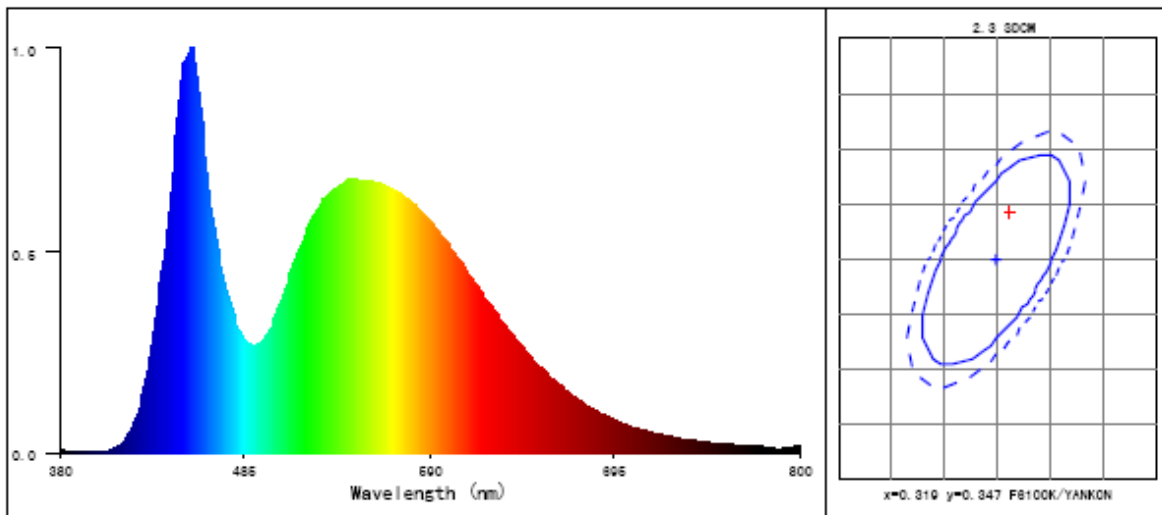
Coordinate: $x=0.3203, y=0.3514$ CCT: $T_c=6051$ K Purity=4.2%

$u=0.1948, v=0.3206$ Main Wave=511.1nm Peak Wave=455.0nm

Half Width=28.5nm Red Ratio=13.4% Chromatism SDCM=2.3

Color rendering property :Ra=74.9

R1=70	R2=80	R3=87	R4=72	R5=71
R6=73	R7=86	R8=60	R9=-27	R10=52
R11=68	R12=45	R13=72	R14=93	R15=65



Other parameters:

Flux: $\Phi=359.2$ Lm Efficiency: $Eff_i=36.7$ Lm/W Stability: $\%=-1.8$ % THD= 0.0%

Voltage: $U=220.3$ V Current: $I=0.102$ A Power: $P=9.8$ W Power factor: $PF=0.436$

Add: 3F, HuShanRoad, No. 13, Daguangkan Industrial Zone, Bantian, LonggangDistrict, Shenzhen,

Guangdong, China

Tel: 86-755-84714721 Fax: 86-755-84714707

E-mail: qm@qmlighting.com

Website: www.qmlighting.com

Copyright© 2008 QM Lighting, Inc. All rights reserved.

version : 1.0

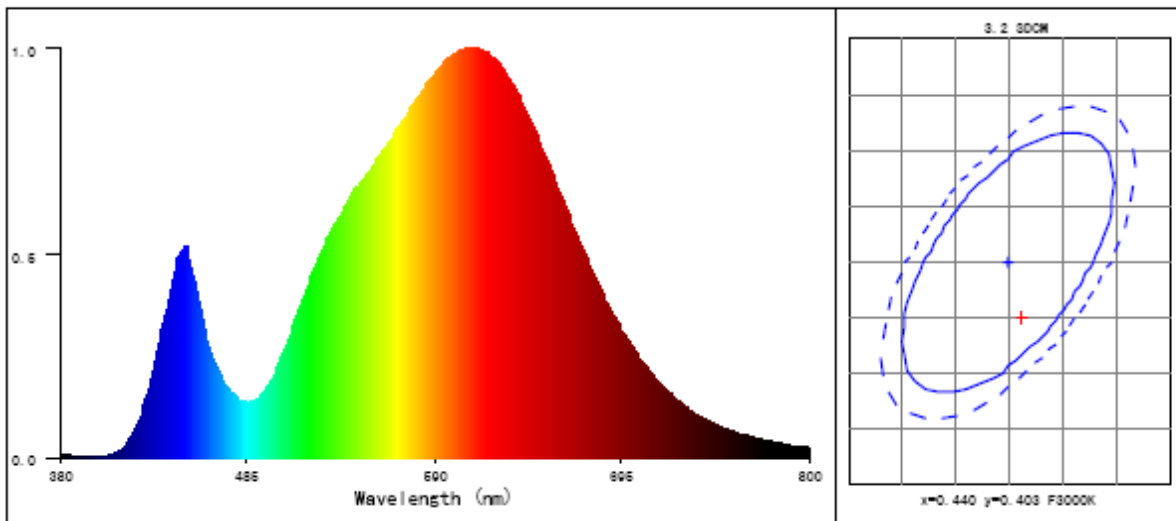


QM lighting

warm white

CIE Parameter:

Coordinate: $x=0.4413, y=0.3979$	CCT: $T_c=2876$ K	Purity=51.9%		
$u=0.2561, v=0.3464$	Main Wave=584.5nm	Peak Wave=610.0nm		
Half Width=147.3nm	Red Ratio=25.5%	Chromatism SDCM=3.2		
Color rendering property :Ra=81.9				
R1=81	R2=88	R3=91	R4=80	R5=80
R6=82	R7=86	R8=68	R9=26	R10=70
R11=76	R12=63	R13=82	R14=94	R15=78



Other parameters:

Flux: $\Phi=344.3$ Lm	Efficiency: $Eff_i=34.5$ Lm/W	Stability: $\%=-0.4$ %	THD= 0.0%
Voltage: $U=220.3$ V	Current: $I=0.103$ A	Power: $P=10.0$ W	Power factor: $PF=0.439$

Add: 3F, HuShanRoad, No. 13, Daguangkan Industrial Zone, Bantian, LonggangDistrict, Shenzhen,

Guangdong, China

Tel: 86-755-84714721 Fax: 86-755-84714707

E-mail: qm@qmlighting.com

Website: www.qmlighting.com

Copyright© 2008 QM Lighting, Inc. All rights reserved.

version : 1.0



QM lighting

30° cool white Photometric Results

Lumens 1000lm

Efficiency 100lm/w

Central Intensity: 2483.400 cd

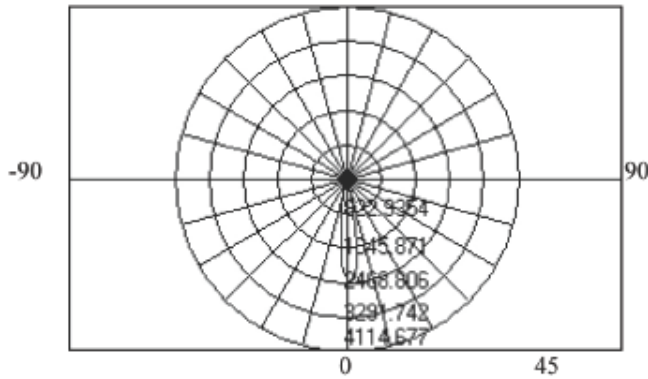
Maximum Intensity: 4114.700 cd

Angle of maximum intensity: C: 110.0 G: 8.1

Half Peak Side Left: -14.4 Right: 0.9

Beam Angle(10%): Left: -20.7 Right: 7.2

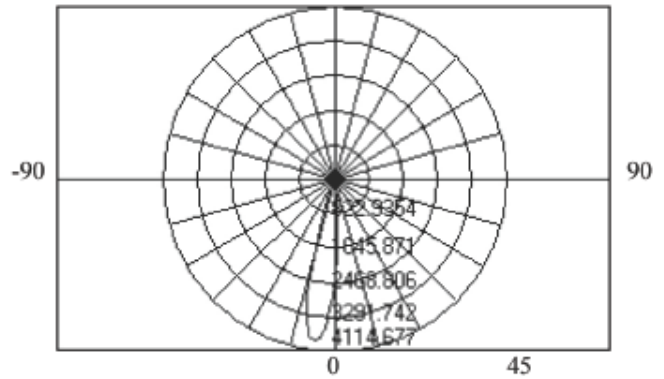
Light Distribution Curve C0/C180



H[m]	Diameter[m]	Illuminance[lx]
0.60	0.16	6600.1
1.20	0.32	1650.0
1.80	0.48	733.3
2.40	0.64	412.5
3.00	0.81	264.0

Half peak angle: 2 x 7.7° C0-C180

Light Distribution Curve C90/C270



H[m]	Diameter[m]	Illuminance[lx]
0.60	0.17	6965.3
1.20	0.34	1741.3
1.80	0.51	773.9
2.40	0.68	435.3
3.00	0.85	278.6

Half peak angle: 2 x 8.1° C90-C270

Add: 3F, HuShanRoad, No. 13, Daguangkan Industrial Zone, Bantian, LonggangDistrict, Shenzhen,

Guangdong, China

Tel: 86-755-84714721 Fax: 86-755-84714707

E-mail: qm@qmlighting.com

Website: www.qmlighting.com

Copyright© 2008 QM Lighting, Inc. All rights reserved.

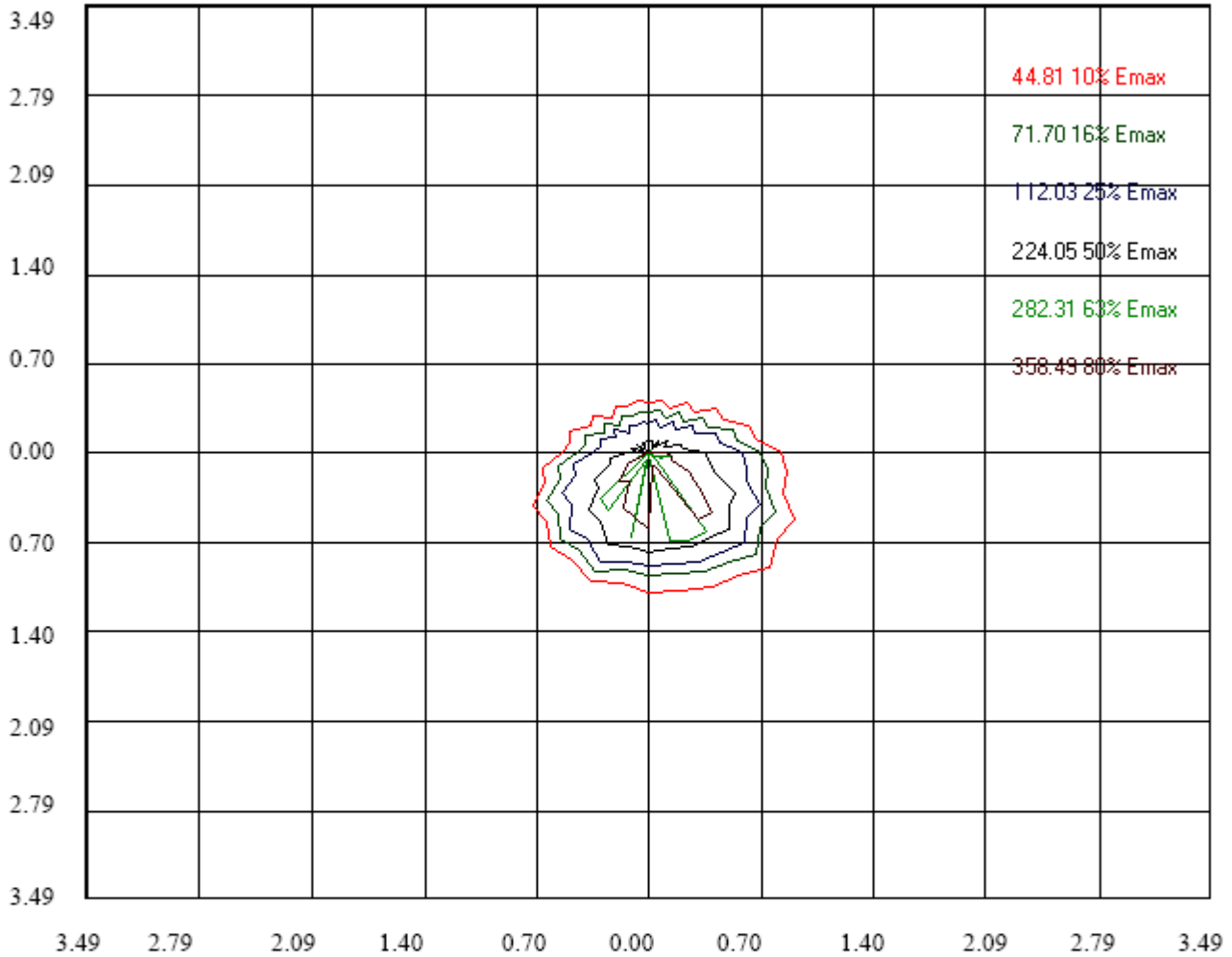
version : 1.0



QM lighting

Illumination map

Iso-Lux[lx]



Height: 3 m

Max Illuminance: 448.110 lx

Add: 3F, HuShanRoad, No. 13, Daguangkan Industrial Zone, Bantian, LonggangDistrict, Shenzhen,

Guangdong, China

Tel: 86-755-84714721 Fax: 86-755-84714707

E-mail: qm@qmlighting.com

Website: www.qmlighting.com

Copyright© 2008 QM Lighting, Inc. All rights reserved.

version : 1.0



QM lighting

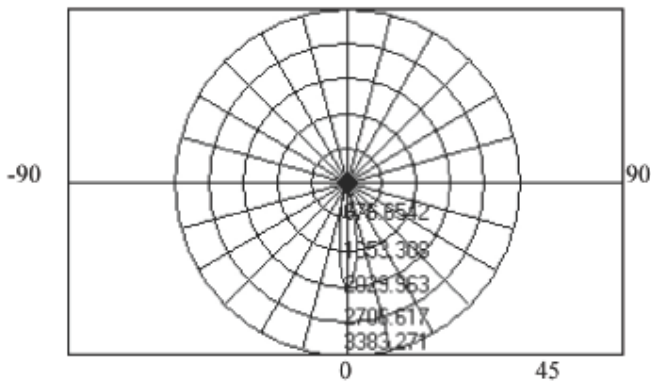
30° warm white

Photometric Results

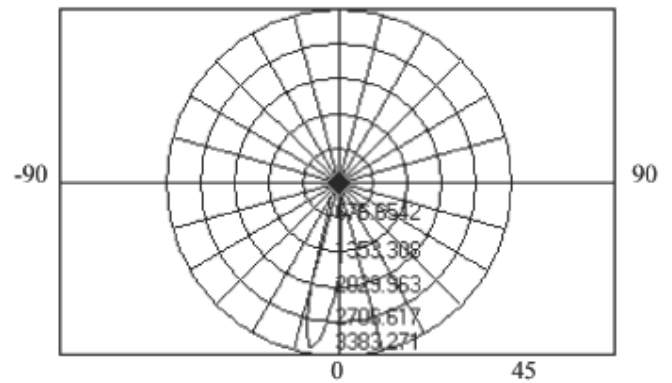
Lumens
 Efficiency
 Central Intensity: 2080.600 cd
 Maximum Intensity: 3383.300 cd

Angle of maximum intensity: C: 80.0 G: 9.0
 Half Peak Side Left: -13.5 Right: 1.8
 Beam Angle(10%): Left: -20.7 Right: 8.1

Light Distribution Curve C0/C180



Light Distribution Curve C90/C270



H[m]	Diameter[m]	Illuminance[lx]
0.60	0.18	5632.8
1.20	0.36	1408.2
1.80	0.54	625.9
2.40	0.72	352.0
3.00	0.90	225.3

Half peak angle: 2 x 8.5°@ C0-C180

H[m]	Diameter[m]	Illuminance[lx]
0.60	0.17	5118.5
1.20	0.34	1279.6
1.80	0.51	568.7
2.40	0.68	319.9
3.00	0.85	204.7

Half peak angle: 2 x 8.1°@ C90-C270

Add: 3F, HuShanRoad, No. 13, Daguangkan Industrial Zone, Bantian, LonggangDistrict, Shenzhen,

Guangdong, China

Tel: 86-755-84714721 Fax: 86-755-84714707

E-mail: qm@qmlighting.com

Website: www.qmlighting.com

Copyright© 2008 QM Lighting, Inc. All rights reserved.

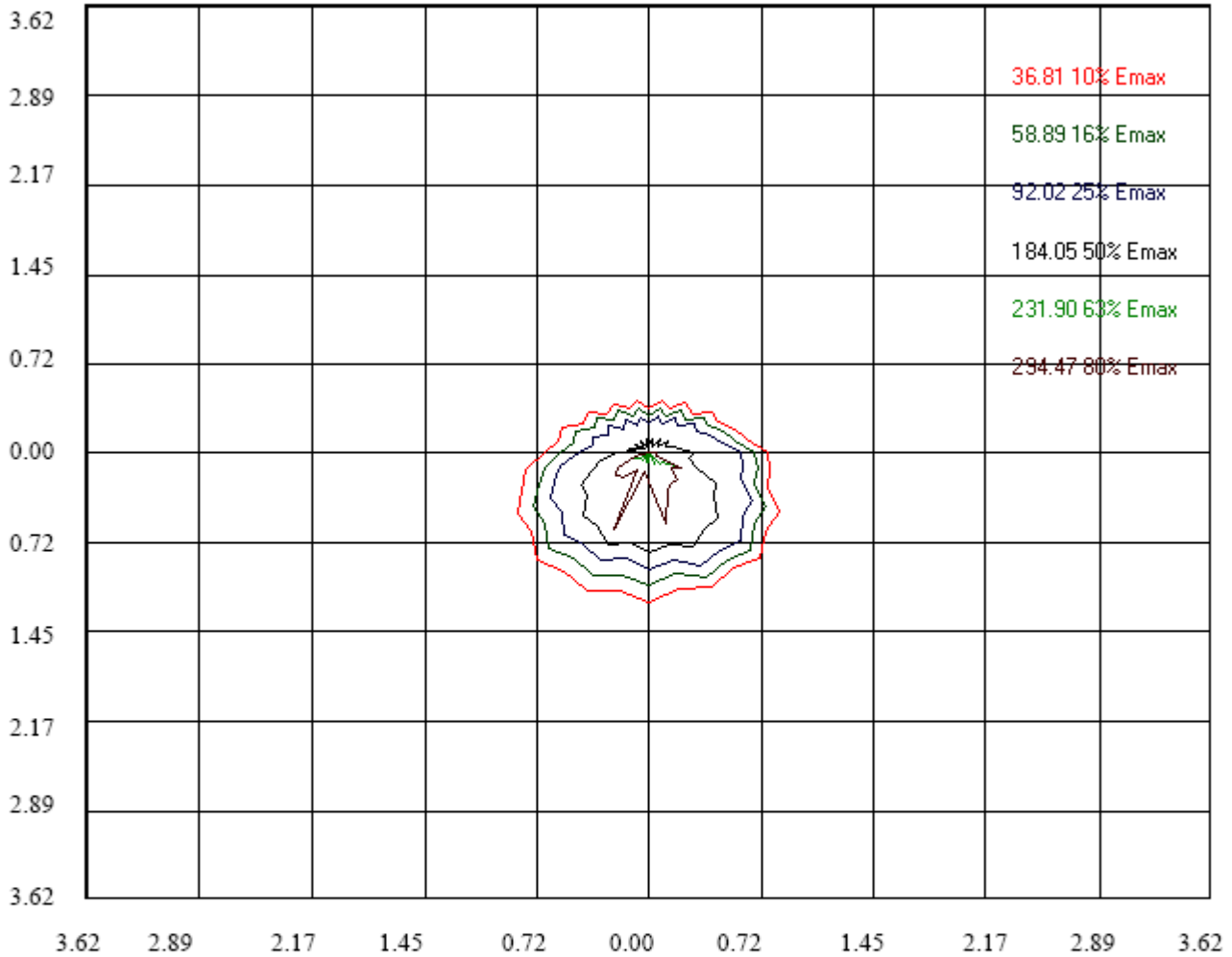
version : 1.0



QM lighting

Illumination map

Iso-Lux[lx]



Height: 3 m

Max Illuminance: 368.093 lx

Add: 3F, HuShanRoad, No. 13, Daguangkan Industrial Zone, Bantian, LonggangDistrict, Shenzhen,

Guangdong, China

Tel: 86-755-84714721 Fax: 86-755-84714707

E-mail: qm@qmlighting.com

Website: www.qmlighting.com

Copyright© 2008 QM Lighting, Inc. All rights reserved.

version : 1.0