



# QM lighting

## QM-03013

### 30 × 1W Beam Light



Add: 3F, HuShanRoad, No. 13, Daguangkan Industrial Zone, Bantian, LonggangDistrict, Shenzhen,

Guangdong, China

Tel: 86-755-84714721 Fax: 86-755-84714707

E-mail: qm@qmlighting.com

Website: www.qmlighting.com

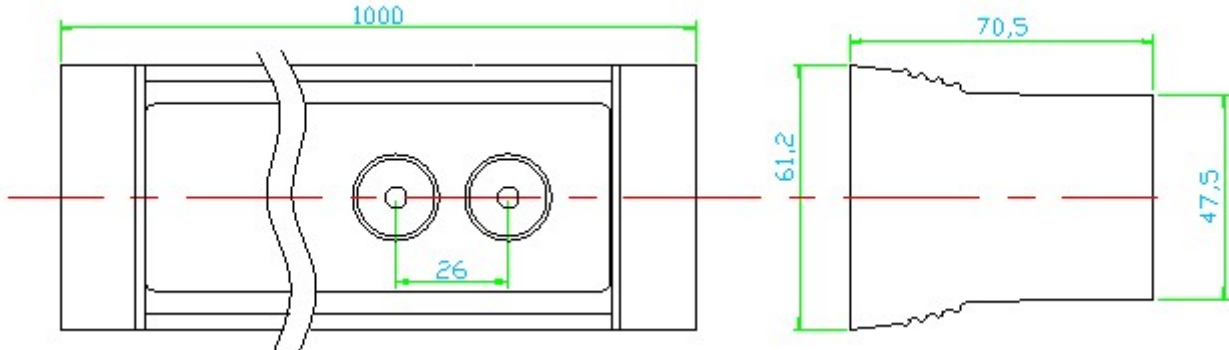
Copyright© 2008 QM Lighting, Inc. All rights reserved.

version : 1.0



# QM lighting

## Dimensions



Unit: mm

Tolerance: ±2.5 mm

## Specifications

- BULB TYPE: Beam Light 30X1W
- BASE TYPE: 2pin/3Pin
- INPUT VOLTAGE: 85--260V AC with reversed polarity protect
- INPUT POWER: 32.9W
- OUTPUT POWER: 30W
- TOTAL LENGTH: 1000mm
- BEAM ANGLE: 15/25/30/45/60degrees
- REFLECTOR EFFICIENCY: 85%
- LIGHT SOURCE: 30X1 W high power LED
- LED OUTPUT CURRENT: 320mA
- BODY TEMPERATURE: <55°C
- LED WORKING TEMPERATURE: -20°C ~ 50°C
- FULL RANGE OF COLORS: cool white, warm white, blue, green ,red,yellow ,RGB
- NET WEIGHT: 2300g
- ALUMINIUM HOUSING
- NO UV OR IR RADIATION
- SAFETY ASSURANCE: CE&RoHS

## Illuminance and Beam Angles

part no.	LED Brand	Color	wavelength/CCT (nm/K)	Luminous Flux (LM)	Power	Color-rendering index	Light Effect (lm/W)
QM-03013-001	Cree	cool white	5000-7000K	1276	32.9	70 ~ 75	38.7
QM-03013-002		Nature white	3500-5000K	1038	32.9	80 ~ 85	31.5
QM-03013-003		warm white	2700-3500K	1038	32.9	80 ~ 85	31.5

Add: 3F, HuShanRoad, No. 13, Daguangkan Industrial Zone, Bantian, LonggangDistrict, Shenzhen,

Guangdong, China

Tel: 86-755-84714721 Fax: 86-755-84714707

E-mail: qm@qmlighting.com

Website: www.qmlighting.com

Copyright© 2008 QM Lighting, Inc. All rights reserved.

version : 1.0

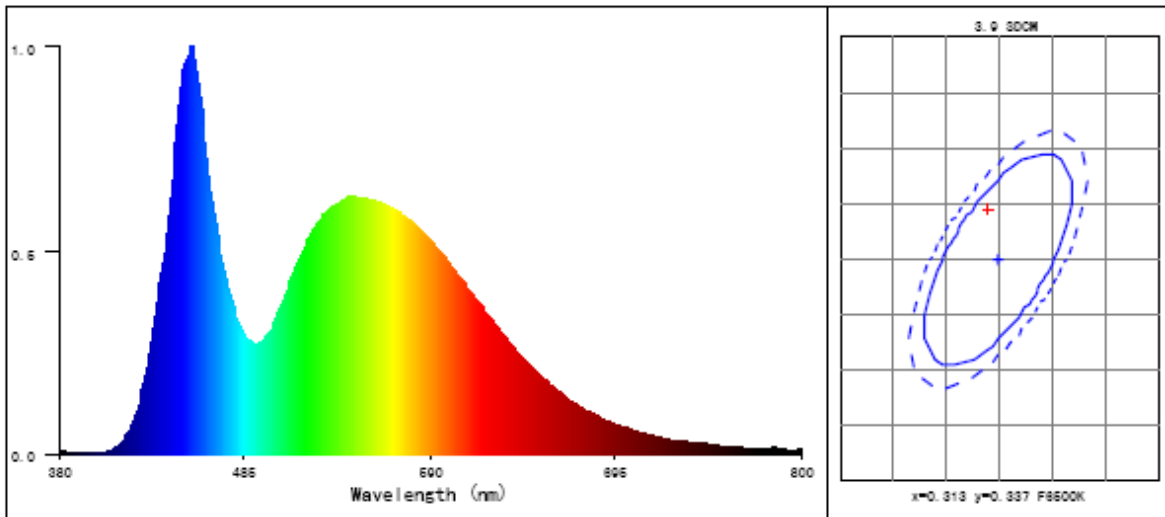


# QM lighting

## cool white

### CIE Parameter:

Coordinate: $x=0.3118, y=0.3416$	CCT: $T_c=6446$ K	Purity=6.8%		
$u=0.1926, v=0.3165$	Main Wave=496.7nm	Peak Wave=455.0nm		
Half Width=30.1nm	Red Ratio=13.0%	Chromatism SDCM=3.9		
Color rendering property :Ra=75.8				
R1=71	R2=82	R3=88	R4=73	R5=72
R6=74	R7=86	R8=61	R9=-24	R10=54
R11=68	R12=47	R13=74	R14=93	R15=66



### Other parameters:

Flux: $\Phi=1276.1$ Lm	Efficiency: $Eff_i=38.7$ Lm/W	Stability: $\%=0.5$ %	THD= 0.0%
Voltage: $U=220.4$ V	Current: $I=0.152$ A	Power: $P=32.9$ W	Power factor :PF=0.985

Add: 3F, HuShanRoad, No. 13, Daguangkan Industrial Zone, Bantian, LonggangDistrict, Shenzhen,

Guangdong, China

Tel: 86-755-84714721 Fax: 86-755-84714707

E-mail: qm@qmlighting.com

Website: www.qmlighting.com

Copyright© 2008 QM Lighting, Inc. All rights reserved.

version : 1.0



# QM lighting

## warm white

### CIE Parameter:

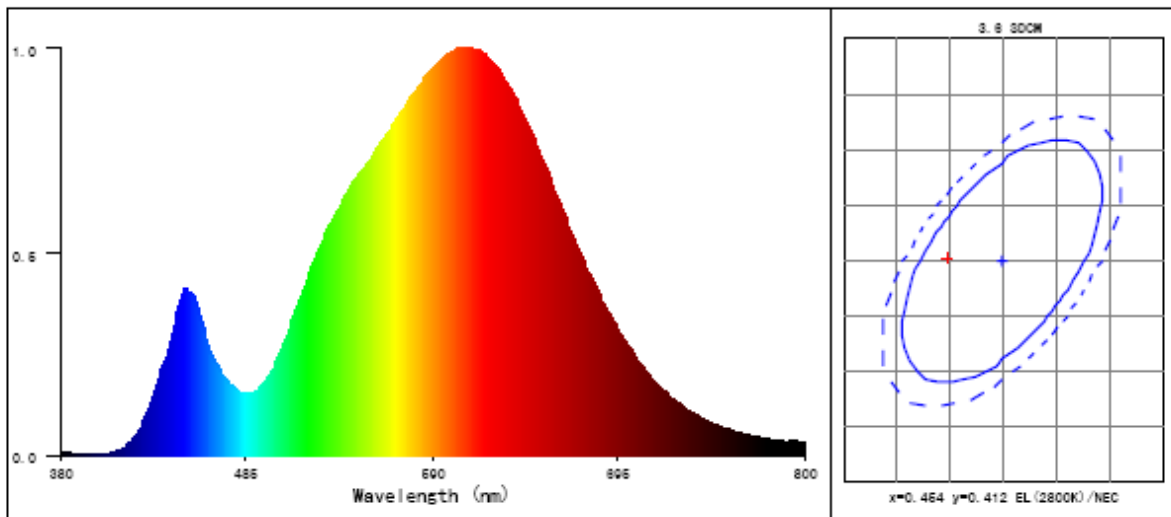
Coordinate:  $x=0.4486, y=0.4124$       CCT:  $T_c=2878$  K      Purity=58.5%

$u=0.2544, v=0.3509$       Main Wave=582.8nm      Peak Wave=610.0nm

Half Width=147.3nm      Red Ratio=25.1%      Chromatism SDCM=3.6

Color rendering property :  $R_a=81.1$

R1=80	R2=87	R3=92	R4=79	R5=78
R6=81	R7=87	R8=66	R9=20	R10=68
R11=75	R12=58	R13=81	R14=95	R15=76



### Other parameters:

Flux:  $\Phi=1037.7$  Lm      Efficiency:  $Eff_i=31.5$  Lm/W      Stability:  $\%=-1.0$  %      THD= 0.0%

Voltage:  $U=220.4$  V      Current:  $I=0.152$  A      Power:  $P=32.9$  W      Power factor:  $PF=0.981$

Add: 3F, HuShanRoad, No. 13, Daguangkan Industrial Zone, Bantian, LonggangDistrict, Shenzhen,

Guangdong, China

Tel: 86-755-84714721      Fax: 86-755-84714707

E-mail: [qm@qmlighting.com](mailto:qm@qmlighting.com)

Website: [www.qmlighting.com](http://www.qmlighting.com)

Copyright© 2008 QM Lighting, Inc. All rights reserved.

version : 1.0



# QM lighting

30° cool white

## Photometric Results

Lumens

Angle of maximum intensity: C: 180.0 G: 0.9

Efficiency

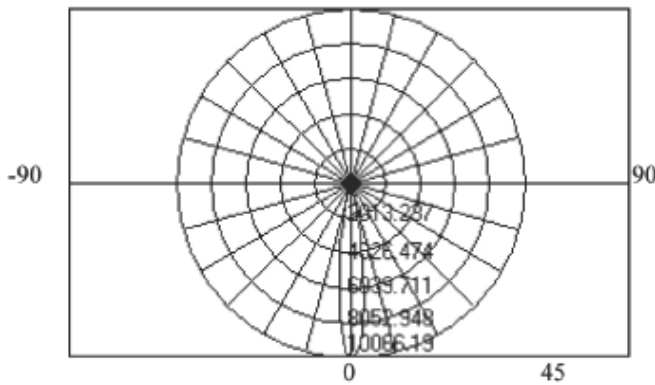
Half Peak Side Left: -8.1 Right: 7.2

Central Intensity: 10006.100 cd

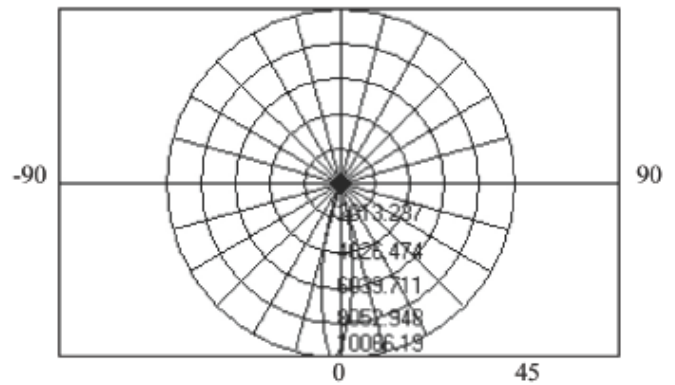
Beam Angle(10%): Left: -14.4 Right: 13.5

Maximum Intensity: 10066.200 cd

Light Distribution Curve C0/C180



Light Distribution Curve C90/C270



H[m]	Diameter[m]	Illuminance[lx]
0.60	0.16	27794.8
1.20	0.32	6948.7
1.80	0.48	3088.3
2.40	0.64	1737.2
3.00	0.81	1111.8

Half peak angle: 2 x 7.7° @ C0-C180

H[m]	Diameter[m]	Illuminance[lx]
0.60	0.21	26423.0
1.20	0.42	6605.7
1.80	0.63	2935.9
2.40	0.84	1651.4
3.00	1.05	1056.9

Half peak angle: 2 x 9.9° @ C90-C270

Add: 3F, HuShanRoad, No. 13, Daguangkan Industrial Zone, Bantian, LonggangDistrict, Shenzhen,

Guangdong, China

Tel: 86-755-84714721 Fax: 86-755-84714707

E-mail: qm@qmlighting.com

Website: www.qmlighting.com

Copyright© 2008 QM Lighting, Inc. All rights reserved.

version : 1.0





# QM lighting

30° warm white

## Photometric Results

Lumens

Angle of maximum intensity: C: 0.0 G: 0.0

Efficiency

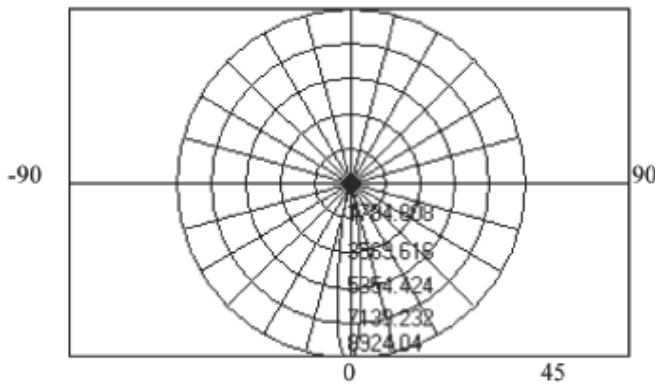
Half Peak Side Left: -8.1 Right: 6.3

Central Intensity: 8924.000 cd

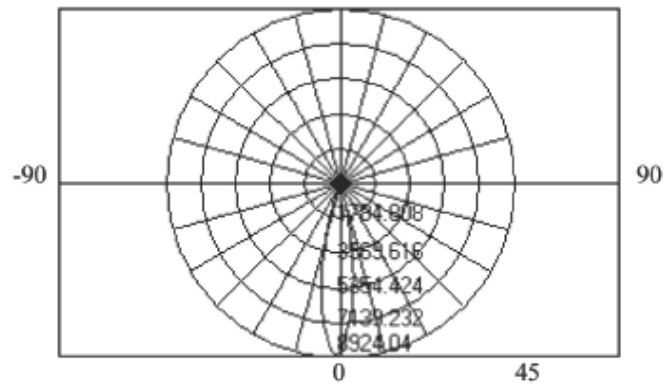
Beam Angle(10%): Left: -14.4 Right: 13.5

Maximum Intensity: 8924.000 cd

Light Distribution Curve C0/C180



Light Distribution Curve C90/C270



H[m]	Diameter[m]	Illuminance[lx]
0.60	0.15	24789.0
1.20	0.30	6197.3
1.80	0.45	2754.3
2.40	0.61	1549.3
3.00	0.76	991.6

Half peak angle: 2 x 7.2° @ C0-C180

H[m]	Diameter[m]	Illuminance[lx]
0.60	0.21	24074.8
1.20	0.42	6018.7
1.80	0.63	2675.0
2.40	0.84	1504.7
3.00	1.05	963.0

Half peak angle: 2 x 9.9° @ C90-C270

Add: 3F, HuShanRoad, No. 13, Daguangkan Industrial Zone, Bantian, LonggangDistrict, Shenzhen,

Guangdong, China

Tel: 86-755-84714721 Fax: 86-755-84714707

E-mail: qm@qmlighting.com

Website: www.qmlighting.com

Copyright© 2008 QM Lighting, Inc. All rights reserved.

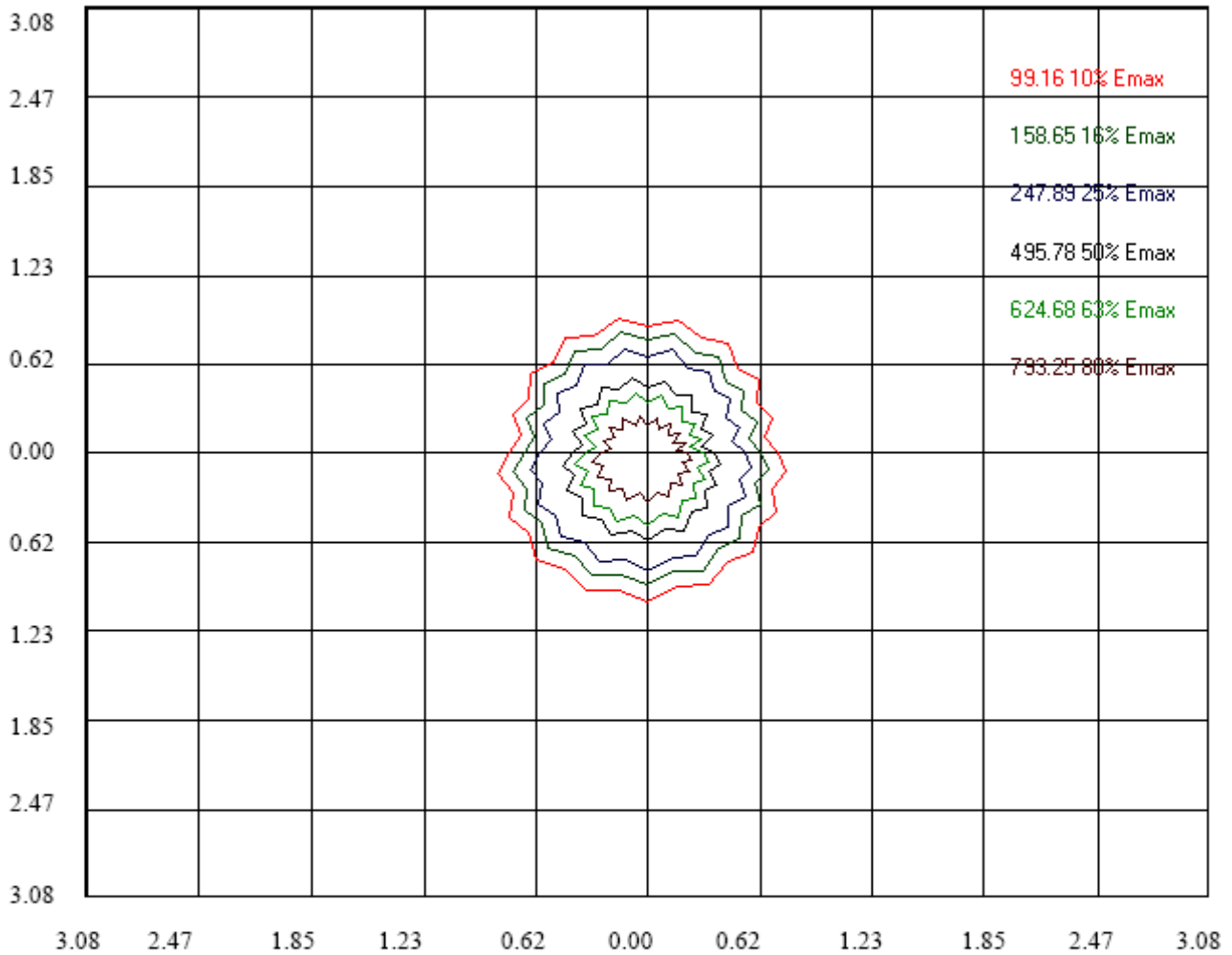
version : 1.0



# QM lighting

## Illumination map

Iso-Lux[lx]



**Height: 3 m**

**Max Illuminance: 991.560 lx**

Add: 3F, HuShanRoad, No. 13, Daguangkan Industrial Zone, Bantian, LonggangDistrict, Shenzhen,

Guangdong, China

Tel: 86-755-84714721 Fax: 86-755-84714707

E-mail: qm@qmlighting.com

Website: www.qmlighting.com

Copyright© 2008 QM Lighting, Inc. All rights reserved.

version : 1.0