



QM lighting

QM-03014

Beam Light 36x1W



Add: 3F, HuShanRoad, No. 13, Daguangkan Industrial Zone, Bantian, LonggangDistrict, Shenzhen,

Guangdong, China

Tel: 86-755-84714721 Fax: 86-755-84714707

E-mail: qm@qmlighting.com

Website: www.qmlighting.com

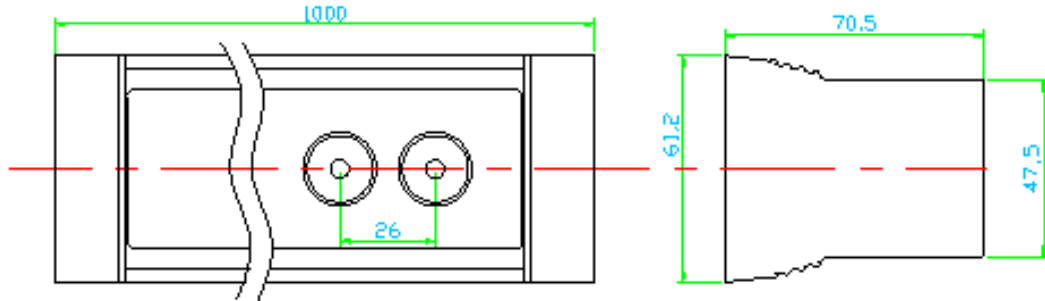
Copyright© 2008 QM Lighting, Inc. All rights reserved.

version : 1.0



QM lighting

Dimensions



Unit: mm

Tolerance: ± 2.5 mm

Specifications

- BULB TYPE: Beam Light 36X1W
- BASE TYPE: 2 pin/3Pin
- INPUT VOLTAGE: 85-260V AC with reversed polarity protect
- INPUT POWER: 41.3W
- OUTPUT POWER: 36W
- TOTAL LENGTH: 1000mm
- BEAM ANGLE: 15/25/30/45/60degrees
- REFLECTOR EFFICIENCY: 85%
- LIGHT SOURCE: 36X1W high power LED
- LED OUTPUT CURRENT: 320mA
- BODY TEMPERATURE: $< 55^{\circ}\text{C}$
- LED WORKING TEMPERATURE: $-20^{\circ}\text{C} \sim 50^{\circ}\text{C}$
- FULL RANGE OF COLORS: cool white, warm white, blue, green ,red,yellow ,RGB
- NET WEIGHT: 2300g
- ALUMINIUM HOUSING
- NO UV OR IR RADIATION
- SAFETY ASSURANCE: CE&RoHS

Illuminance and Beam Angles

part no.	LED Brand	Color	wavelength/CCT (nm/K)	Luminous Flux (LM)	Power	Color-rendering index	Light Effect (lm/W)
QM-03014-001	Cree	cool white	5000-7000K	1664.5	41.3	70 ~ 75	40.3
QM-03014-002		Nature white	3500-5000K	1148.2	39.5	80 ~ 85	29.1
QM-03014-003		warm white	2700-3500K	1148.2	39.5	80 ~ 85	29.1

Add: 3F, HuShanRoad, No. 13, Daguangkan Industrial Zone, Bantian, LonggangDistrict, Shenzhen,

Guangdong, China

Tel: 86-755-84714721 Fax: 86-755-84714707

E-mail: qm@qmlighting.com

Website: www.qmlighting.com

Copyright© 2008 QM Lighting, Inc. All rights reserved.

version : 1.0



QM lighting

cool white

CIE Parameter:

Coordinate: $x=0.3124, y=0.3370$

OCT: $Tc=6450\text{ K}$

Purity=6.9%

$u=0.1947, v=0.3150$

Main Wave=493.9nm

Peak Wave=450.0nm

Half Width=28.6nm

Red Ratio=13.1%

Chromatism SDCM=0.6

Color rendering property : $Ra=74.1$

R1=70

R2=78

R3=82

R4=74

R5=72

R6=70

R7=84

R8=62

R9=-25

R10=45

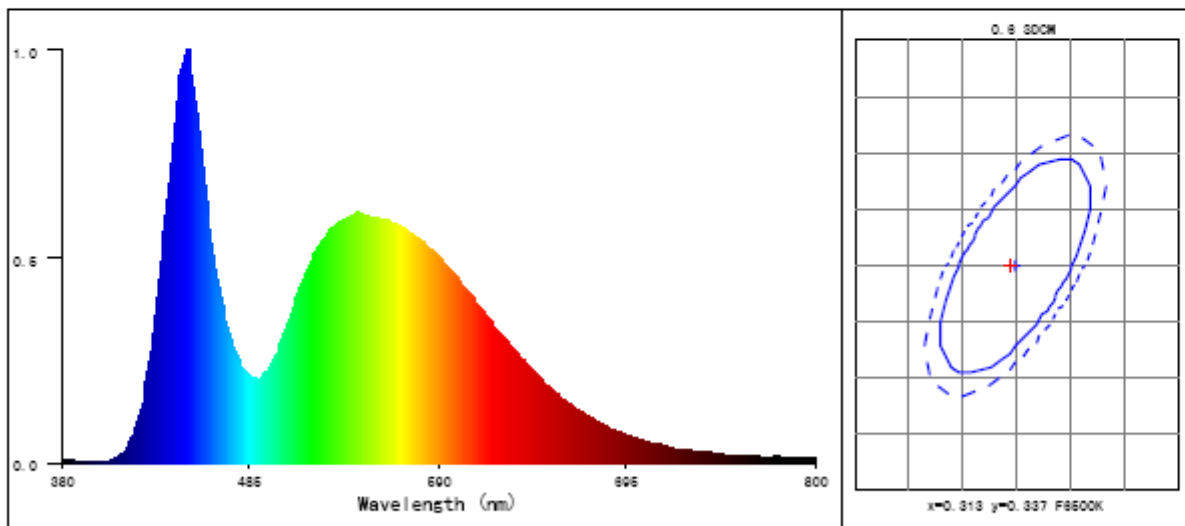
R11=70

R12=46

R13=72

R14=90

R15=66



Other parameters:

Flux: $\Phi=1664.5\text{ Lm}$

Efficiency: $Eff_i=40.3\text{ Lm/W}$

Stability: $\%=-0.9\%$

THD= 0.0%

Voltage: $U=220.2\text{ V}$

Current: $I=0.191\text{ A}$

Power: $P=41.3\text{ W}$

Power factor: $PF=0.982$

Add: 3F, HuShanRoad, No. 13, Daguangkan Industrial Zone, Bantian, LonggangDistrict, Shenzhen,

Guangdong, China

Tel: 86-755-84714721 Fax: 86-755-84714707

E-mail: qm@qmlighting.com

Website: www.qmlighting.com

Copyright© 2008 QM Lighting, Inc. All rights reserved.

version : 1.0

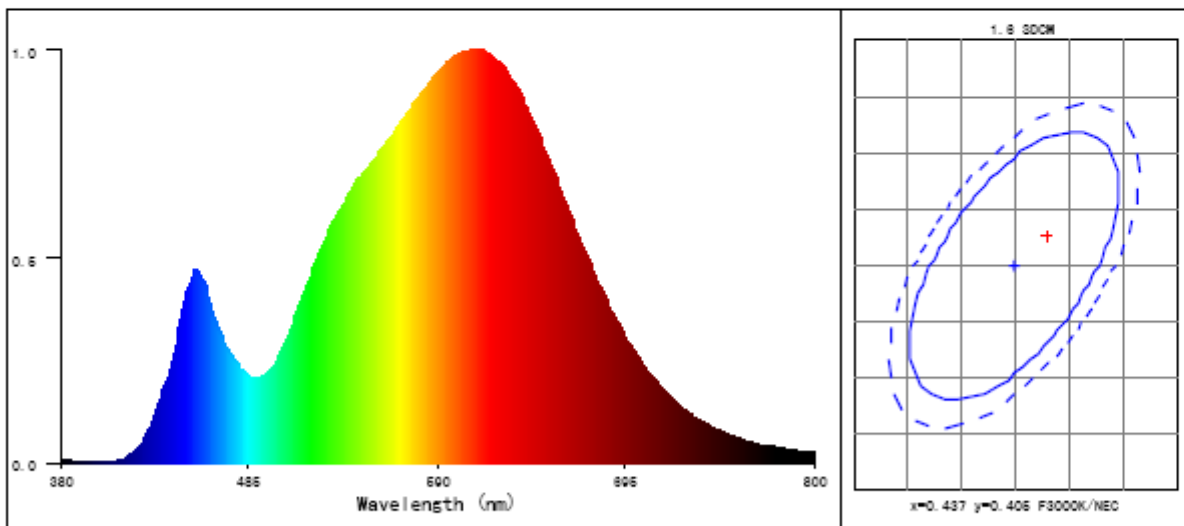


QM lighting

warm white

CIE Parameter:

Coordinate: $x=0.4400, y=0.4078$	OCT: $Tc=2979\text{ K}$	Purity=54.5%		
$u=0.2510, v=0.3489$	Main Wave=582.6nm	Peak Wave=610.0nm		
Half Width=149.6nm	Red Ratio=24.8%	Chromatism SDCM=1.6		
Color rendering property : $Ra=84.0$				
R1=83	R2=90	R3=94	R4=81	R5=81
R6=85	R7=89	R8=69	R9=28	R10=74
R11=77	R12=63	R13=84	R14=96	R15=79



Other parameters:

Flux: $\Phi=1148.2\text{ Lm}$	Efficiency: $Eff_i=29.1\text{ Lm/W}$	Stability: $\%=-1.0\%$	THD= 0.0%
Voltage: $U=220.4\text{ V}$	Current: $I=0.181\text{ A}$	Power: $P=39.5\text{ W}$	Power factor: $PF=0.990$

Add: 3F, HuShanRoad, No. 13, Daguangkan Industrial Zone, Bantian, LonggangDistrict, Shenzhen,

Guangdong, China

Tel: 86-755-84714721 Fax: 86-755-84714707

E-mail: qm@qmlighting.com

Website: www.qmlighting.com

Copyright© 2008 QM Lighting, Inc. All rights reserved.

version : 1.0



QM lighting

30° Cool white

Photometric Results

Lumens

Angle of maximum intensity: C: 180.0 G: 0.9

Efficiency

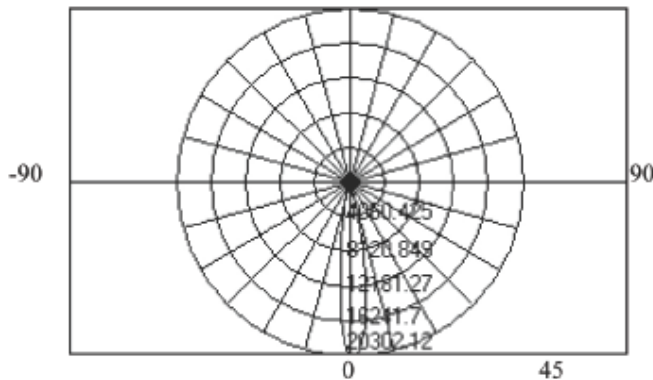
Half Peak Side Left: -9.9 Right: 5.4

Central Intensity: 20102.400 cd

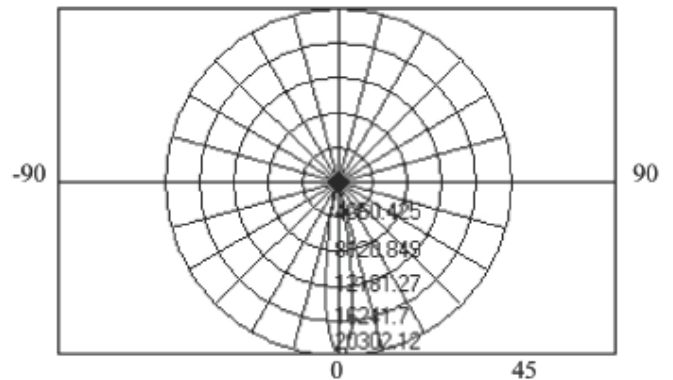
Beam Angle(10%): Left: -16.2 Right: 12.6

Maximum Intensity: 20302.100 cd

Light Distribution Curve C0/C180



Light Distribution Curve C90/C270



H[m]	Diameter[m]	Illuminance[lx]
0.60	0.16	55840.1
1.20	0.32	13960.0
1.80	0.48	6204.5
2.40	0.64	3490.0
3.00	0.81	2233.6

H[m]	Diameter[m]	Illuminance[lx]
0.60	0.16	55201.0
1.20	0.32	13800.2
1.80	0.48	6133.4
2.40	0.64	3450.1
3.00	0.81	2208.0

Half peak angle: 2 x 7.7° C0-C180

Half peak angle: 2 x 7.7° C90-C270

Add: 3F, HuShanRoad, No. 13, Daguangkan Industrial Zone, Bantian, LonggangDistrict, Shenzhen,

Guangdong, China

Tel: 86-755-84714721 Fax: 86-755-84714707

E-mail: qm@qmlighting.com

Website: www.qmlighting.com

Copyright© 2008 QM Lighting, Inc. All rights reserved.

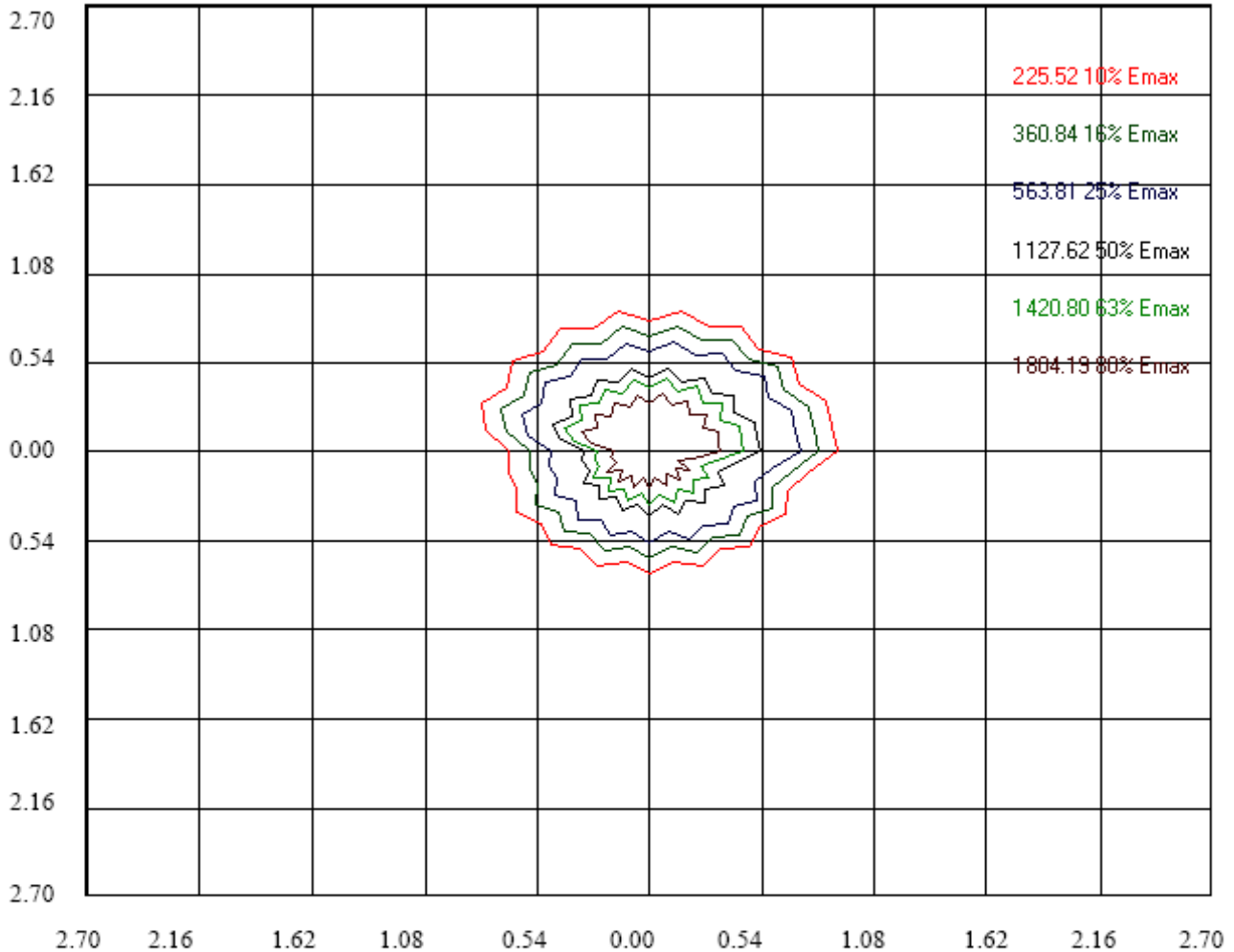
version : 1.0



QM lighting

Illumination map

Iso-Lux[lx]



Height: 3 m

Max Illuminance: 2255.235 lx

Add: 3F, HuShanRoad, No. 13, Daguangkan Industrial Zone, Bantian, LonggangDistrict, Shenzhen,

Guangdong, China

Tel: 86-755-84714721 Fax: 86-755-84714707

E-mail: qm@qmlighting.com

Website: www.qmlighting.com

Copyright© 2008 QM Lighting, Inc. All rights reserved.

version : 1.0



QM lighting

30° warm white

Photometric Results

Lumens

Angle of maximum intensity: C: 180.0 G: 0.9

Efficiency

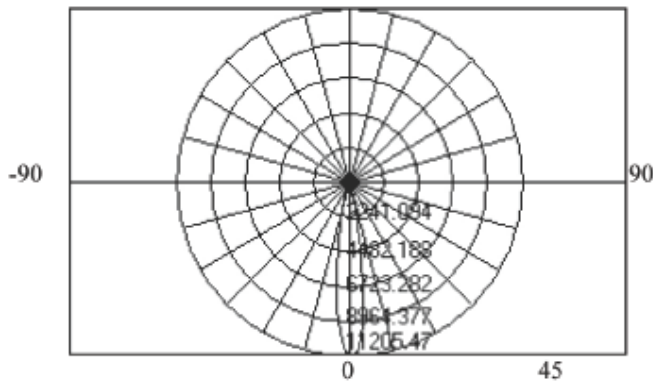
Half Peak Side Left: -8.1 Right: 7.2

Central Intensity: 11125.400 cd

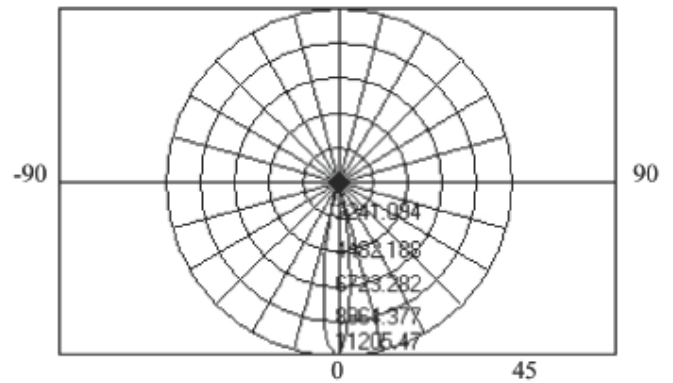
Beam Angle(10%): Left: -15.3 Right: 14.4

Maximum Intensity: 11205.500 cd

Light Distribution Curve C0/C180



Light Distribution Curve C90/C270



H[m]	Diameter[m]	Illuminance[lx]
0.60	0.16	30903.8
1.20	0.32	7726.0
1.80	0.48	3433.8
2.40	0.64	1931.5
3.00	0.81	1236.2

Half peak angle: 2 x 7.7° C0-C180

H[m]	Diameter[m]	Illuminance[lx]
0.60	0.17	30626.7
1.20	0.34	7656.7
1.80	0.51	3403.0
2.40	0.68	1914.2
3.00	0.85	1225.1

Half peak angle: 2 x 8.1° C90-C270

Add: 3F, HuShanRoad, No. 13, Daguangkan Industrial Zone, Bantian, LonggangDistrict, Shenzhen,

Guangdong, China

Tel: 86-755-84714721 Fax: 86-755-84714707

E-mail: qm@qmlighting.com

Website: www.qmlighting.com

Copyright© 2008 QM Lighting, Inc. All rights reserved.

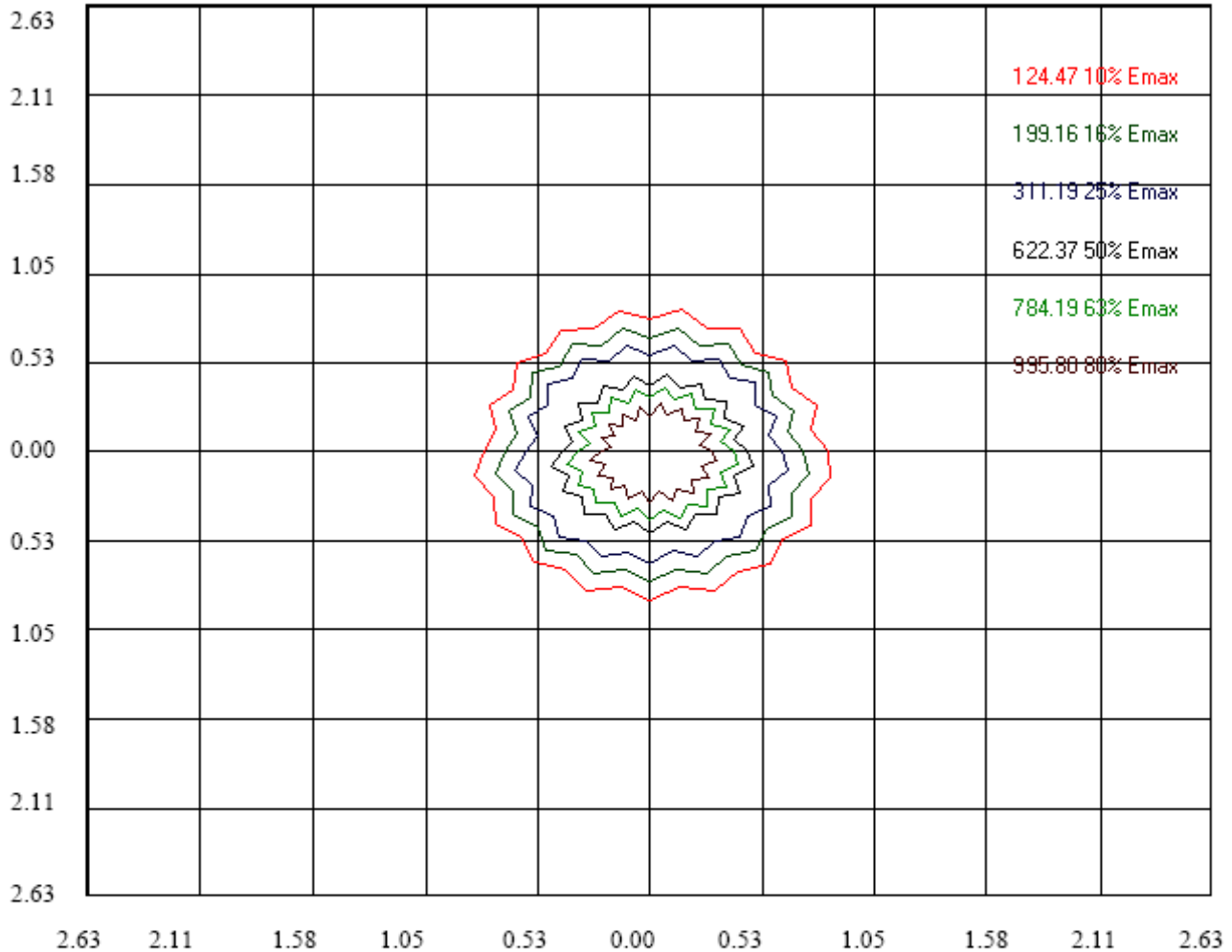
version : 1.0



QM lighting

Illumination map

Iso-Lux[lx]



Height: 3 m

Max Illuminance: 1244.745 lx

Add: 3F, HuShanRoad, No. 13, Daguangkan Industrial Zone, Bantian, LonggangDistrict, Shenzhen,

Guangdong, China

Tel: 86-755-84714721 Fax: 86-755-84714707

E-mail: qm@qmlighting.com

Website: www.qmlighting.com

Copyright© 2008 QM Lighting, Inc. All rights reserved.

version : 1.0