



QM lighting

QM-04010

PL 6×1W



Add: 3F, HuShanRoad, No. 13, Daguangkan Industrial Zone, Bantian, LonggangDistrict, Shenzhen,

Guangdong, China

Tel: 86-755-84714721 Fax: 86-755-84714707

E-mail: qm@qmlighting.com

Website: www.qmlighting.com

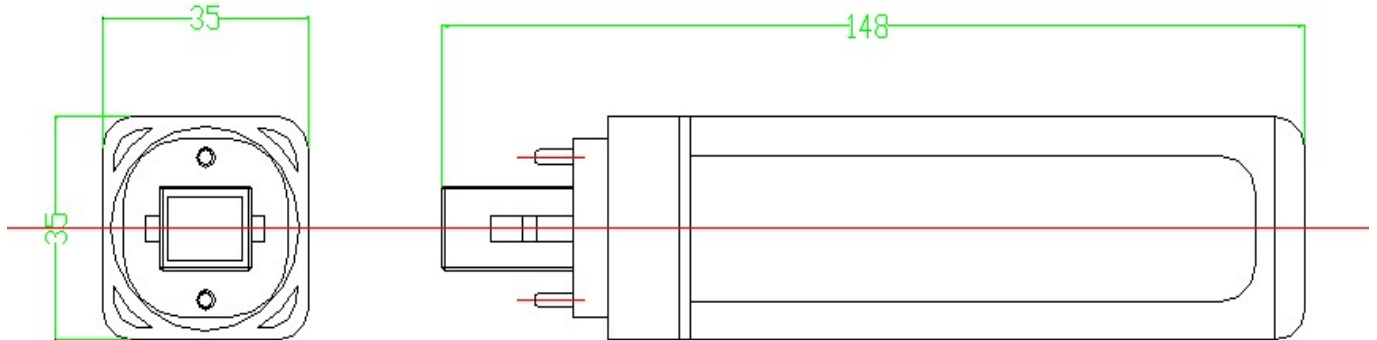
Copyright© 2008 QM Lighting, Inc. All rights reserved.

version : 1.0



QM lighting

Dimensions



Unit: mm

Tolerance: ± 2.5 mm

Specifications

- BUIB TYPE: PL 6X1W
- BASE TYPE: GU24
- INPUT VOLTAGE: 85--260V AC with reversed polarity protect
- INPUT POWER: 7.1W
- OUTPUT POWER: 6W
- TOTAL LENGTH: 148mm
- BEAM ANGLE: 145degrees
- REFLECTOR EFFICIENCY: 85%
- LIGHT SOURCE: 6X1W high power LED
- LED OUTPUT CURRENT: 320mA
- BODY TEMPERATURE: $< 55^{\circ}\text{C}$
- LED WORKING TEMPERATURE: $-20^{\circ}\text{C} \sim 50^{\circ}\text{C}$
- FULL RANGE OF COLORS: cool white, warm white, blue, green ,red,yellow ,RGB
- NET WEIGHT: g
- ALUMINIUM HOUSING
- NO UV OR IR RADIATION
- SAFETY ASSURANCE: CE&RoHS

Illuminance and Beam Angles

part no.	LED Brand	Color	wavelength/CCT (nm/K)	Luminous Flux (LM)	Power	Color-rendering index	Light Effect (lm/W)
QM-04010-001	Cree	cool white	5000-7000K	509.3	7.1	75 ~ 80	71.9
QM-04010-002		N white	3500-5000K	304.4	7.2	80 ~ 85	42.0
QM-04010-003		warm white	2800-3500K	304.4	7.2	80 ~ 85	42.0

Add: 3F, HuShanRoad, No. 13, Daguangkan Industrial Zone, Bantian, LonggangDistrict, Shenzhen,

Guangdong, China

Tel: 86-755-84714721 Fax: 86-755-84714707

E-mail: qm@qmlighting.com

Website: www.qmlighting.com

Copyright© 2008 QM Lighting, Inc. All rights reserved.

version : 1.0

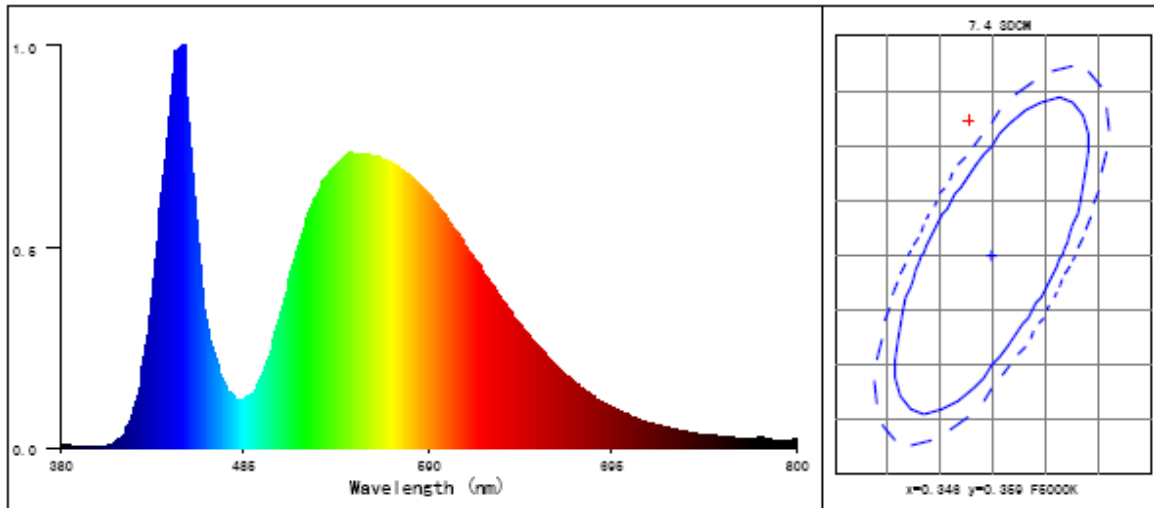


QM lighting

cool white

CIE Parameter:

Coordinate: x=0.3436, y=0.3716	CCT: Tc=5122 K	Purity=14.6%		
u=0.2029, v=0.3292	Main Wave=564.3nm	Peak Wave=450.0nm		
Half Width=23.0nm	Red Ratio=14.4%	Chromatism SDCM=7.4		
Color rendering property :Ra=88.7				
R1=65	R2=72	R3=78	R4=70	R5=66
R6=63	R7=80	R8=56	R9=-38	R10=35
R11=66	R12=36	R13=65	R14=88	R15=59



Other parameters:

Flux: Φ=509.3 Lm	Efficiency: Effi=71.9 Lm/W	Stability: %=-1.9 %	THD= 0.0%
Voltage: U=221.3 V	Current: I=0.034 A	Power: P=7.1 W	Power factor: PF=0.936

Add: 3F, HuShanRoad, No. 13, Daguangkan Industrial Zone, Bantian, LonggangDistrict, Shenzhen,

Guangdong, China

Tel: 86-755-84714721 Fax: 86-755-84714707

E-mail: qm@qmlighting.com

Website: www.qmlighting.com

Copyright© 2008 QM Lighting, Inc. All rights reserved.

version : 1.0

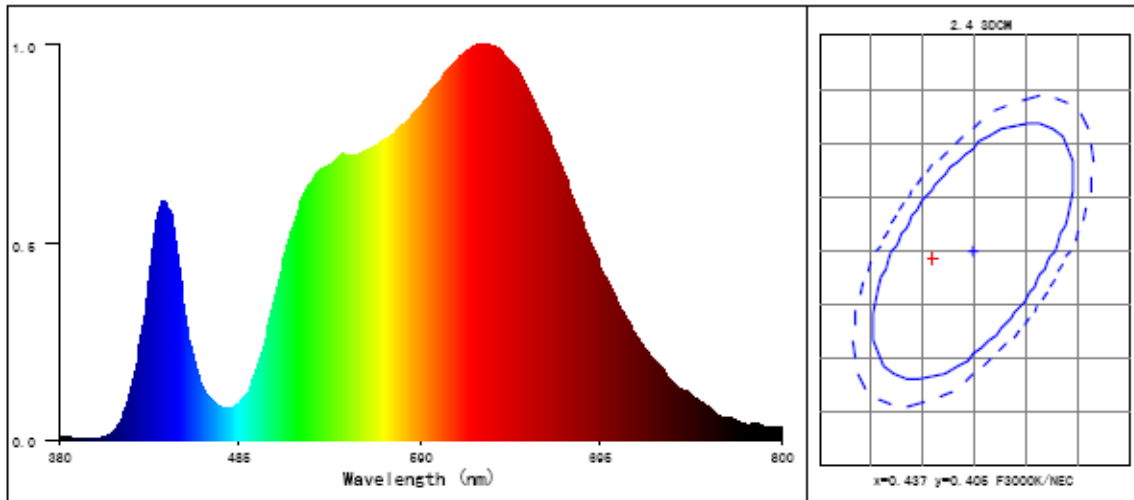


QM lighting

warm white

CIE Parameter:

Coordinate: x=0.4328, y=0.4042	OCT: Tc=3070 K	Purity=51.2%		
u=0.2479, v=0.3472	Main Wave=582.3nm	Peak Wave=625.0nm		
Half Width=175.5nm	Red Ratio=25.0%	Chromatism SDCM=2.4		
Color rendering property :Ra=86.5				
R1=91	R2=88	R3=83	R4=87	R5=87
R6=83	R7=88	R8=86	R9=64	R10=70
R11=89	R12=65	R13=89	R14=89	R15=88



Other parameters:

Flux: $\Phi=304.4$ Lm	Efficiency: Effi=42.0 Lm/W	Stability: %=-0.9 %	THD= 0.0%
Voltage: U=221.3 V	Current: I=0.035 A	Power: P=7.2 W	Power factor: PF=0.942

Add: 3F, HuShanRoad, No. 13, Daguangkan Industrial Zone, Bantian, LonggangDistrict, Shenzhen,

Guangdong, China

Tel: 86-755-84714721 Fax: 86-755-84714707

E-mail: qm@qmlighting.com

Website: www.qmlighting.com

Copyright© 2008 QM Lighting, Inc. All rights reserved.

version : 1.0



QM lighting

145° cool white

Photometric Results

Lumens 440.79 lm

Efficiency 90.88 %

Central Intensity: 195.000 cd

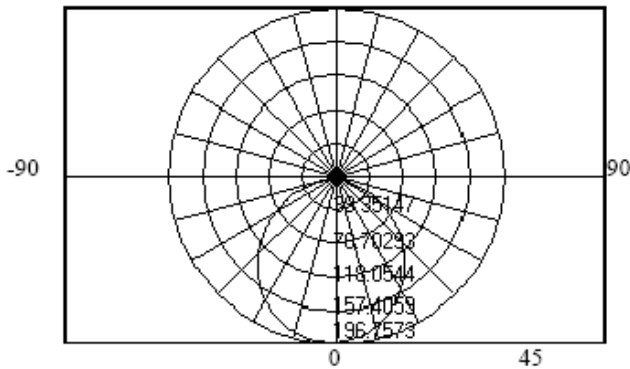
Maximum Intensity: 196.800 cd

Angle of maximum intensity: C: 310.0 G: 2.7

Half Peak Side Left: -50.4 Right: 47.7

Beam Angle(10%): Left: -75.6 Right: 70.2

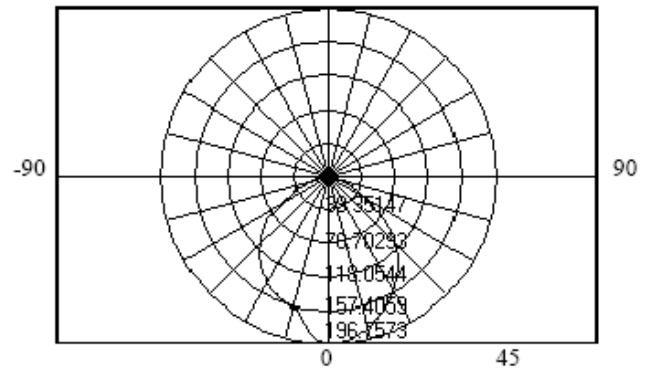
Light Distribution Curve C0/C180



H[m]	Diameter[m]	Illuminance[lx]
0.60	1.52	538.9
1.20	3.04	134.7
1.80	4.57	59.9
2.40	6.09	33.7
3.00	7.61	21.6

Half peak angle: 2 x 51.8°@ C0-C180

Light Distribution Curve C90/C270



H[m]	Diameter[m]	Illuminance[lx]
0.60	1.43	543.7
1.20	2.86	135.9
1.80	4.28	60.4
2.40	5.71	34.0
3.00	7.14	21.7

Half peak angle: 2 x 50.0°@ C90-C270

Add: 3F, HuShanRoad, No. 13, Daguangkan Industrial Zone, Bantian, LonggangDistrict, Shenzhen,

Guangdong, China

Tel: 86-755-84714721 Fax: 86-755-84714707

E-mail: qm@qmlighting.com

Website: www.qmlighting.com

Copyright© 2008 QM Lighting, Inc. All rights reserved.

version : 1.0



QM lighting

145° warm white

Photometric Results

Lumens 276.17 lm

Efficiency 90.84 %

Central Intensity: 116.000 cd

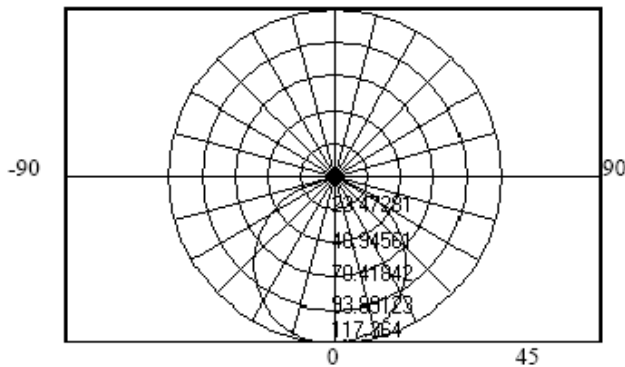
Maximum Intensity: 117.400 cd

Angle of maximum intensity: C: 200.0 G: 1.8

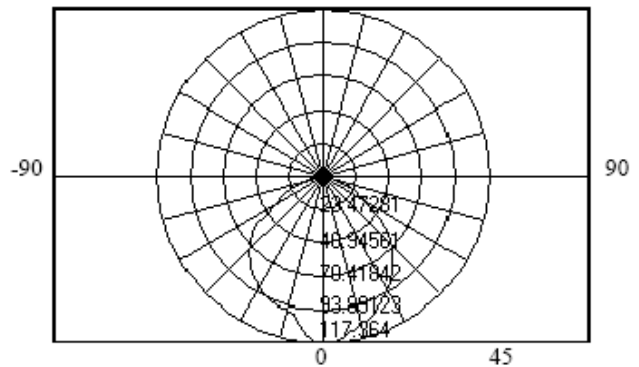
Half Peak Side Left: -49.5 Right: 51.3

Beam Angle(10%): Left: -70.2 Right: 68.4

Light Distribution Curve C0/C180



Light Distribution Curve C90/C270



H[m]	Diameter[m]	Illuminance[lx]
0.60	1.60	324.1
1.20	3.20	81.0
1.80	4.79	36.0
2.40	6.39	20.3
3.00	7.99	13.0

Half peak angle: 2 x 53.1° C0-C180

H[m]	Diameter[m]	Illuminance[lx]
0.60	1.52	325.1
1.20	3.04	81.3
1.80	4.57	36.1
2.40	6.09	20.3
3.00	7.61	13.0

Half peak angle: 2 x 51.8° C90-C270

Add: 3F, HuShanRoad, No. 13, Daguangkan Industrial Zone, Bantian, LonggangDistrict, Shenzhen,

Guangdong, China

Tel: 86-755-84714721 Fax: 86-755-84714707

E-mail: qm@qmlighting.com

Website: www.qmlighting.com

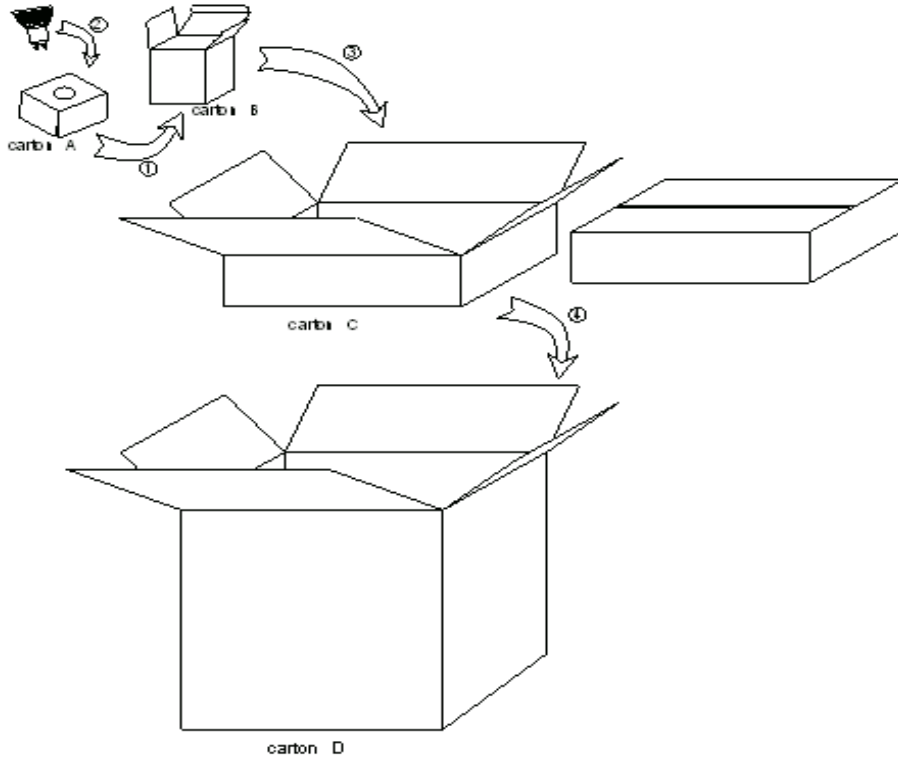
Copyright© 2008 QM Lighting, Inc. All rights reserved.

version : 1.0



QM lighting

Package Information



Packing Notice:

- 1.Qty/ctn:100pcs
- 2.Gross Weight:7.5kg
- 3.Size of carton:31X25X44CM
- 4.Handle with care

Add: 3F, HuShanRoad, No. 13, Daguangkan Industrial Zone, Bantian, LonggangDistrict, Shenzhen,

Guangdong, China

Tel: 86-755-84714721 Fax: 86-755-84714707

E-mail: qm@qmlighting.com

Website: www.qmlighting.com

Copyright© 2008 QM Lighting, Inc. All rights reserved.

version : 1.0