



QM lighting

QM-07003

LED Ball G60



Add: 3F, HuShanRoad, No. 13, Daguangkan Industrial Zone, Bantian, LonggangDistrict, Shenzhen,

Guangdong, China

Tel: 86-755-84714721 Fax: 86-755-84714707

E-mail: qm@qmlighting.com

Website: www.qmlighting.com

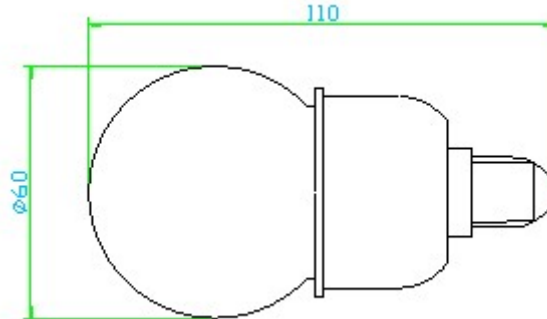
Copyright© 2008 QM Lighting, Inc. All rights reserved.

version : 1.0



QM lighting

Dimensions



Unit: mm

Tolerance: ± 2.5 mm

Specifications

- BULB TYPE: LED Ball G60
- BASE TYPE: E14/E27
- INPUT VOLTAGE: 110\230 AC with reversed polarity protect
- INPUT POWER: 1.2W
- OUTPUT POWER: 1W
- TOTAL LENGTH: 71mm
- BEAM ANGLE: 120degrees
- REFLECTOR EFFICIENCY: 85%
- LIGHT SOURCE: Low power LED
- LED OUTPUT CURRENT: 20mA
- BODY TEMPERATURE: $< 55^{\circ}\text{C}$
- LED WORKING TEMPERATURE: ,RGB
- FULL RANGE OF COLORS: cool white, warm white, blue, green ,red,yellow ,RGB
- NET WEIGHT: 40g
- ALUMINIUM HOUSING
- NO UV OR IR RADIATION
- SAFETY ASSURANCE: CE&RoHS

Illuminance and Beam Angles

part no.	LED Brand	Color	wavelength/CCT (nm/K)	Luminous Flux (LM)	Power	Color-rendering index	Light Effect (lm/W)
QM-07003-001	Cree	cool white	5000-7000K				
QM-07003-002		Nature white	3500-5000K				
QM-07003-003		warm white	2700-3500K				

Add: 3F, HuShanRoad, No. 13, Daguangkan Industrial Zone, Bantian, LonggangDistrict, Shenzhen,

Guangdong, China

Tel: 86-755-84714721 Fax: 86-755-84714707

E-mail: qm@qmlighting.com

Website: www.qmlighting.com

Copyright© 2008 QM Lighting, Inc. All rights reserved.

version : 1.0