



QM lighting

QM-07010

G50 3x1W



Add: 3F, HuShanRoad, No. 13, Daguangkan Industrial Zone, Bantian, LonggangDistrict, Shenzhen,

Guangdong, China

Tel: 86-755-84714721 Fax: 86-755-84714707

E-mail: qm@qmlighting.com

Website: www.qmlighting.com

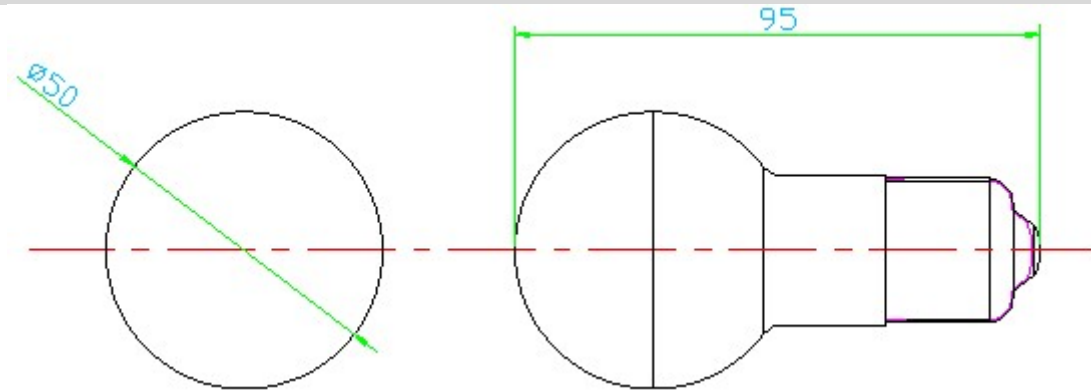
Copyright© 2008 QM Lighting, Inc. All rights reserved.

version : 1.0



QM lighting

Dimensions



Unit: mm

Tolerance: ± 2.5 mm

Specifications

- BULB TYPE: G50 3X1W
- BASE TYPE: E11/E17/E26/E27
- INPUT VOLTAGE: AC85-260V with reversed polarity protect
- INPUT POWER: 4W
- OUTPUT POWER: 3W
- TOTAL LENGTH: 95mm
- BEAM ANGLE: 150degrees
- REFLECTOR EFFICIENCY: 85%
- LIGHT SOURCE: 3X1W high power LED
- LED OUTPUT CURRENT: 320mA
- BODY TEMPERATURE: $< 55^{\circ}\text{C}$
- LED WORKING TEMPERATURE: $-20^{\circ}\text{C} \sim 50^{\circ}\text{C}$
- FULL RANGE OF COLORS: cool white, warm white, blue, green, red, yellow, RGB
- NET WEIGHT: 85g
- ALUMINIUM HOUSING
- NO UV OR IR RADIATION
- SAFETY ASSURANCE: CE&RoHS&CUL

Illuminance and Beam Angles

part no.	LED Brand	Color	wavelength/CCT (nm/K)	Luminous Flux (LM)	Power	Color-rendering index	Light Effect (lm/W)
QM-07010-001	Cree	cool white	5000-7000K	228	4.1	70 ~ 75	56
QM-07010-002		Nature white	3500-5000K	185	3.9	80 ~ 85	48
QM-07010-003		warm white	2700-3500K	185	3.9	80 ~ 85	48

Add: 3F, HuShanRoad, No. 13, Daguangkan Industrial Zone, Bantian, LonggangDistrict, Shenzhen,

Guangdong, China

Tel: 86-755-84714721 Fax: 86-755-84714707

E-mail: qm@qmlighting.com

Website: www.qmlighting.com

Copyright© 2008 QM Lighting, Inc. All rights reserved.

version : 1.0

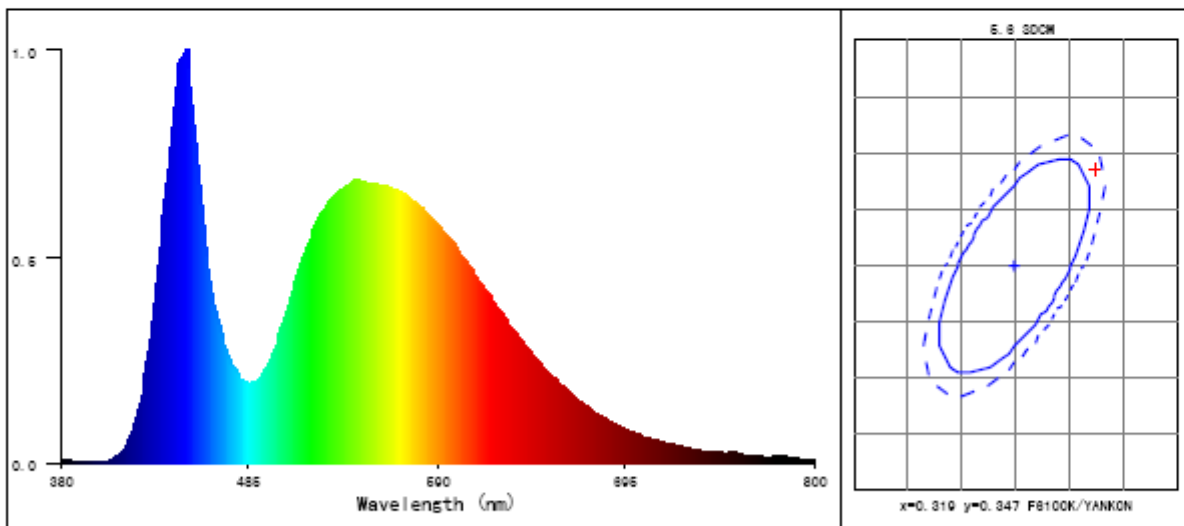


QM lighting

cool white

CIE Parameter:

Coordinate: $x=0.3267, y=0.3557$	OCT: $T_c=5719\text{ K}$	Purity=5.0%		
$u=0.1975, v=0.3226$	Main Wave=536.1nm	Peak Wave=450.0nm		
Half Width=26.1nm	Red Ratio=13.6%	Chromatism SDCM=5.6		
Color rendering property :Ra=71.8				
R1=68	R2=76	R3=82	R4=72	R5=69
R6=68	R7=82	R8=58	R9=-34	R10=43
R11=68	R12=44	R13=69	R14=90	R15=62



Other parameters:

Flux: $\Phi=228.2\text{ Lm}$	Efficiency: $\text{Effi}=56.2\text{ Lm/W}$	Stability: $\%=0.4\%$	THD= 0.0%
Voltage: $U=220.3\text{ V}$	Current: $I=0.036\text{ A}$	Power: $P=4.1\text{ W}$	Power factor: $\text{PF}=0.511$

Add: 3F, HuShanRoad, No. 13, Daguangkan Industrial Zone, Bantian, LonggangDistrict, Shenzhen,

Guangdong, China

Tel: 86-755-84714721 Fax: 86-755-84714707

E-mail: qm@qmlighting.com

Website: www.qmlighting.com

Copyright© 2008 QM Lighting, Inc. All rights reserved.

version : 1.0

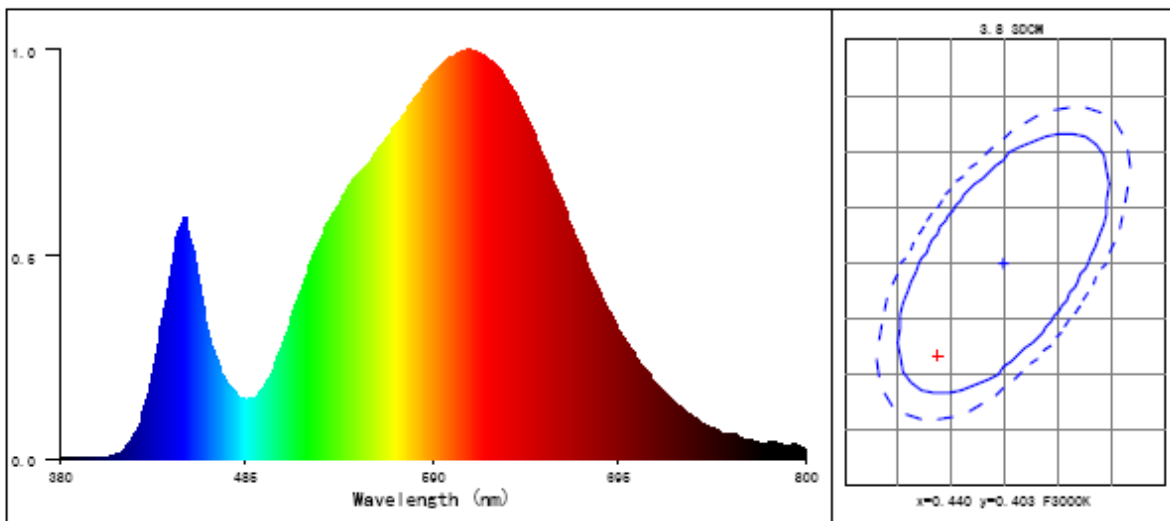


QM lighting

150° warm white

CIE Parameter:

Coordinate: x=0.4336, y=0.3946	OCT: Tc=2980 K	Purity=48.6%		
u=0.2525, v=0.3447	Main Wave=584.2nm	Peak Wave=610.0nm		
Half Width=151.5nm	Red Ratio=25.0%	Chromatism SDCM=3.8		
Color rendering property :Ra=83.1				
R1=83	R2=88	R3=91	R4=81	R5=81
R6=83	R7=87	R8=70	R9=30	R10=70
R11=78	R12=63	R13=84	R14=94	R15=80



Other parameters:

Flux: Φ =185.3 Lm	Efficiency: Effi=48.0 Lm/W	Stability: %=1.2 %	THD= 0.0%
Voltage: U=220.3 V	Current: I=0.035 A	Power: P=3.9 W	Power factor: PF=0.508

Add: 3F, HuShanRoad, No. 13, Daguangkan Industrial Zone, Bantian, LonggangDistrict, Shenzhen,

Guangdong, China

Tel: 86-755-84714721 Fax: 86-755-84714707

E-mail: qm@qmlighting.com

Website: www.qmlighting.com

Copyright© 2008 QM Lighting, Inc. All rights reserved.

version : 1.0



QM lighting

150° cool white

Photometric Results

Lumens

Angle of maximum intensity: C: 270.0 G: 4.5

Efficiency

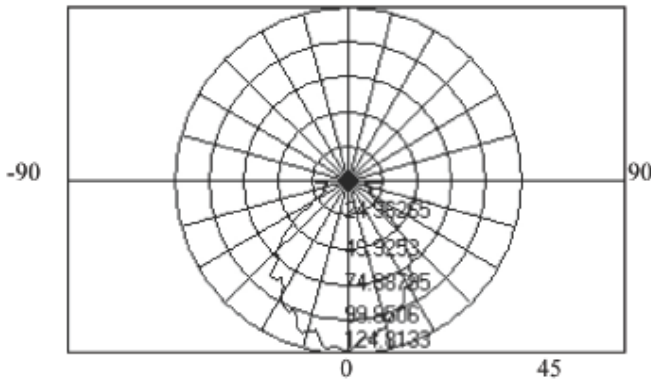
Half Peak Side Left: -45.0 Right: 44.1

Central Intensity: 117.700 cd

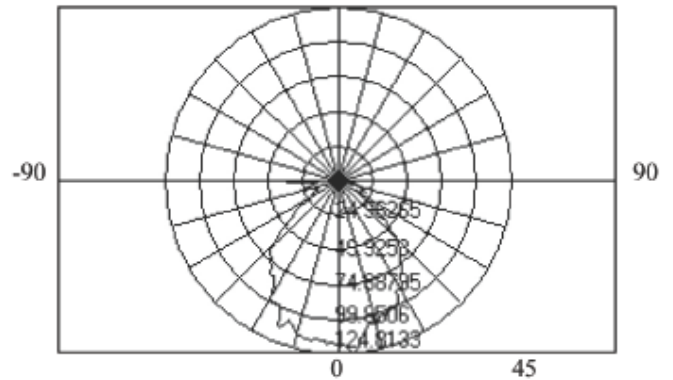
Beam Angle(10%): Left: -89.1 Right: 78.3

Maximum Intensity: 124.800 cd

Light Distribution Curve C0/C180



Light Distribution Curve C90/C270



H[m]	Diameter[m]	Illuminance[lx]
0.60	1.22	342.1
1.20	2.44	85.5
1.80	3.66	38.0
2.40	4.88	21.4
3.00	6.09	13.7

Half peak angle: 2 x 45.5° C0-C180

H[m]	Diameter[m]	Illuminance[lx]
0.60	1.18	327.1
1.20	2.36	81.8
1.80	3.54	36.3
2.40	4.73	20.4
3.00	5.91	13.1

Half peak angle: 2 x 44.6° C90-C270

Add: 3F, HuShanRoad, No. 13, Daguangkan Industrial Zone, Bantian, LonggangDistrict, Shenzhen,

Guangdong, China

Tel: 86-755-84714721 Fax: 86-755-84714707

E-mail: qm@qmlighting.com

Website: www.qmlighting.com

Copyright© 2008 QM Lighting, Inc. All rights reserved.

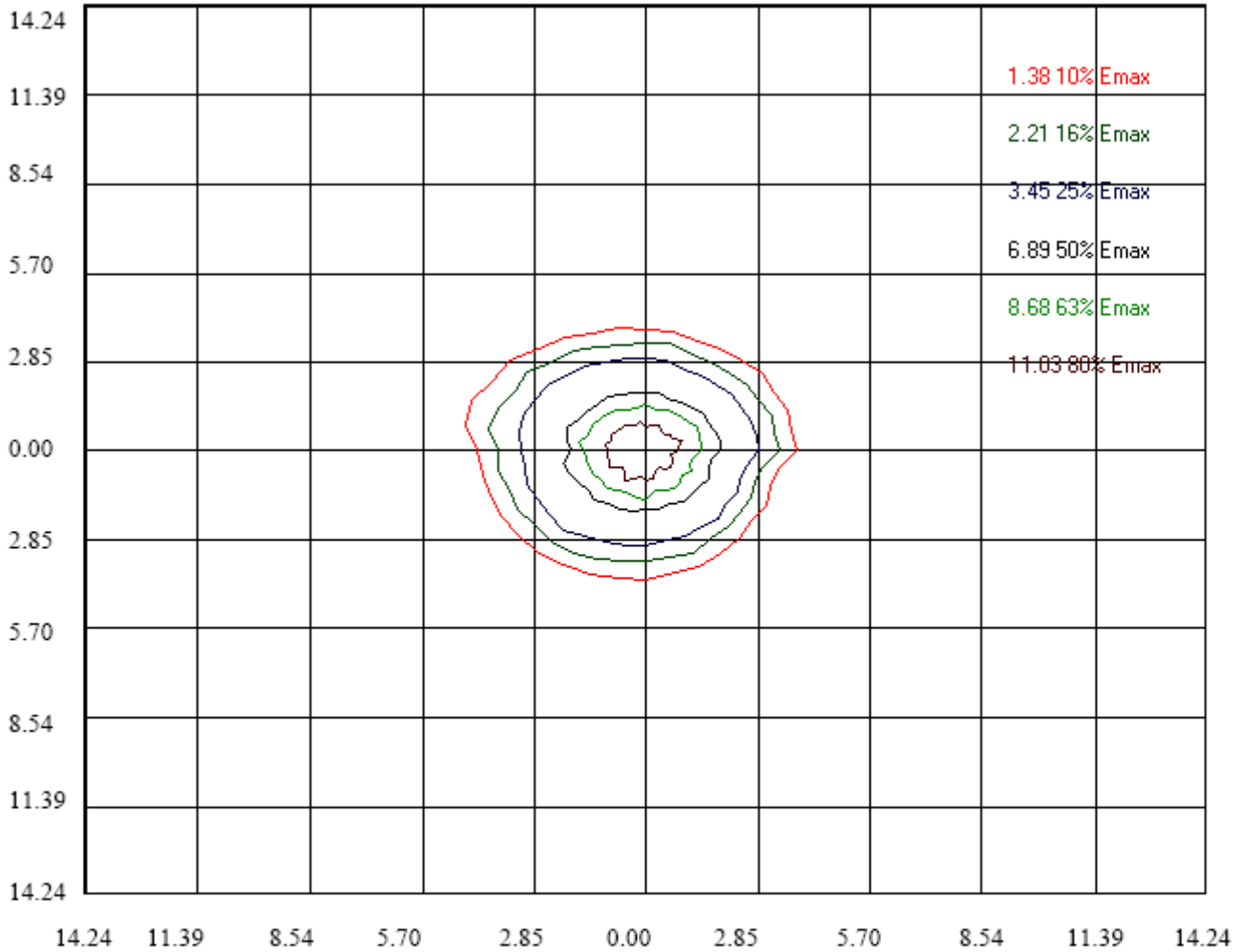
version : 1.0



QM lighting

Illumination map

Iso-Lux[lx]



Height: 3 m

Max Illuminance: 13.783 lx

Add: 3F, HuShanRoad, No. 13, Daguangkan Industrial Zone, Bantian, LonggangDistrict, Shenzhen,

Guangdong, China

Tel: 86-755-84714721 Fax: 86-755-84714707

E-mail: qm@qmlighting.com

Website: www.qmlighting.com

Copyright© 2008 QM Lighting, Inc. All rights reserved.

version : 1.0



QM lighting

150° warm white

Photometric Results

Lumens

Efficiency

Central Intensity: 101.500 cd

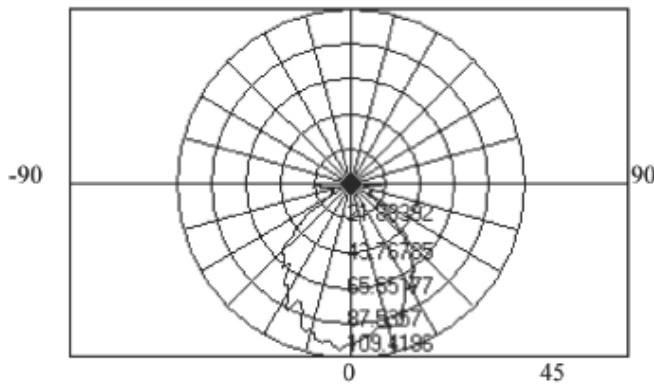
Maximum Intensity: 109.400 cd

Angle of maximum intensity: C: 30.0 G: 5.4

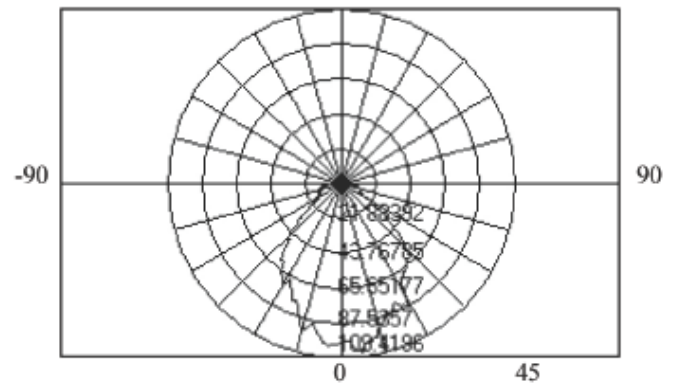
Half Peak Side Left: -45.0 Right: 43.2

Beam Angle(10%): Left: -88.2 Right: 90.0

Light Distribution Curve C0/C180



Light Distribution Curve C90/C270



H[m]	Diameter[m]	Illuminance[lx]
0.60	1.18	280.8
1.20	2.36	70.2
1.80	3.54	31.2
2.40	4.73	17.6
3.00	5.91	11.2

Half peak angle: 2 x 44.6° C0-C180

H[m]	Diameter[m]	Illuminance[lx]
0.60	1.16	273.9
1.20	2.33	68.5
1.80	3.49	30.4
2.40	4.65	17.1
3.00	5.81	11.0

Half peak angle: 2 x 44.1° C90-C270

Add: 3F, HuShanRoad, No. 13, Daguangkan Industrial Zone, Bantian, LonggangDistrict, Shenzhen,

Guangdong, China

Tel: 86-755-84714721 Fax: 86-755-84714707

E-mail: qm@qmlighting.com

Website: www.qmlighting.com

Copyright© 2008 QM Lighting, Inc. All rights reserved.

version : 1.0

