



QM lighting

QM-07012

G50 3×1-1W



Add: 3F, HuShanRoad, No. 13, Daguangkan Industrial Zone, Bantian, LonggangDistrict, Shenzhen,

Guangdong, China

Tel: 86-755-84714721 Fax: 86-755-84714707

E-mail: qm@qmlighting.com

Website: www.qmlighting.com

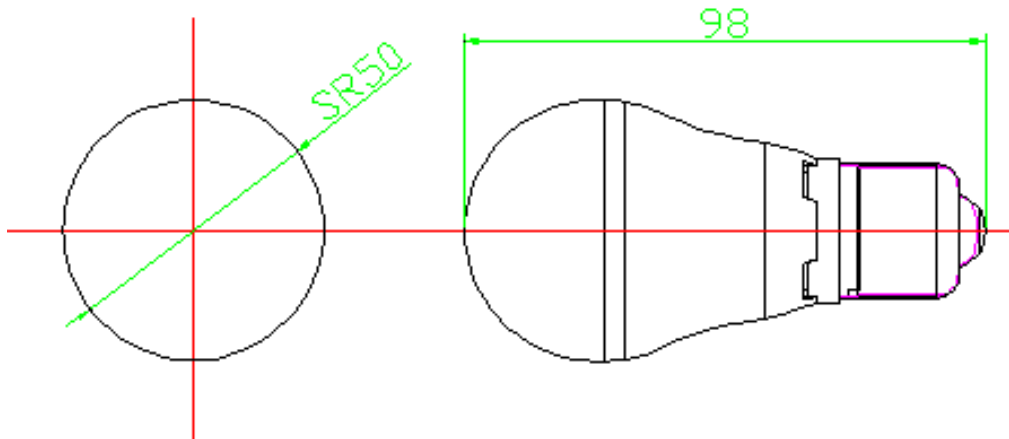
Copyright© 2008 QM Lighting, Inc. All rights reserved.

version : 1.0



QM lighting

Dimensions



Unit: mm

Tolerance: ± 2.5 mm

Specifications

- BULB TYPE: G50 3X1W
- BASE TYPE: E27
- INPUT VOLTAGE: 85--260V AC with reversed polarity protect
- INPUT POWER: 3.6W
- OUTPUT POWER: 3W
- TOTAL LENGTH: 98mm
- BEAM ANGLE: 180degrees
- REFLECTOR EFFICIENCY: 85%
- LIGHT SOURCE: 3X1W high power LED
- LED OUTPUT CURRENT: 320mA
- BODY TEMPERATURE: $< 55^{\circ}\text{C}$
- LED WORKING TEMPERATURE: $-20^{\circ}\text{C} \sim 50^{\circ}\text{C}$
- FULL RANGE OF COLORS: cool white, warm white, blue, green ,red,yellow ,RGB
- NET WEIGHT: 100g
- ALUMINIUM HOUSING
- NO UV OR IR RADIATION
- SAFETY ASSURANCE: CE&RoHS

Illuminance and Beam Angles

part no.	LED Brand	Color	wavelength/CCT (nm/K)	Luminous Flux (LM)	Power	Color-rendering index	Light Effect (lm/W)
QM-07012-001	NICHIA	cool white	5000-7000K	248.7	3.6W	70 ~ 75	69.3
QM-07012-002		Nature white	3500-5000K	177.7	3.6W	80 ~ 85	49.6
QM-07012-003		warm white	2700-3500K	177.7	3.6W	80 ~ 85	49.6

Add: 3F, HuShanRoad, No. 13, Daguangkan Industrial Zone, Bantian, LonggangDistrict, Shenzhen,

Guangdong, China

Tel: 86-755-84714721 Fax: 86-755-84714707

E-mail: qm@qmlighting.com

Website: www.qmlighting.com

Copyright© 2008 QM Lighting, Inc. All rights reserved.

version : 1.0

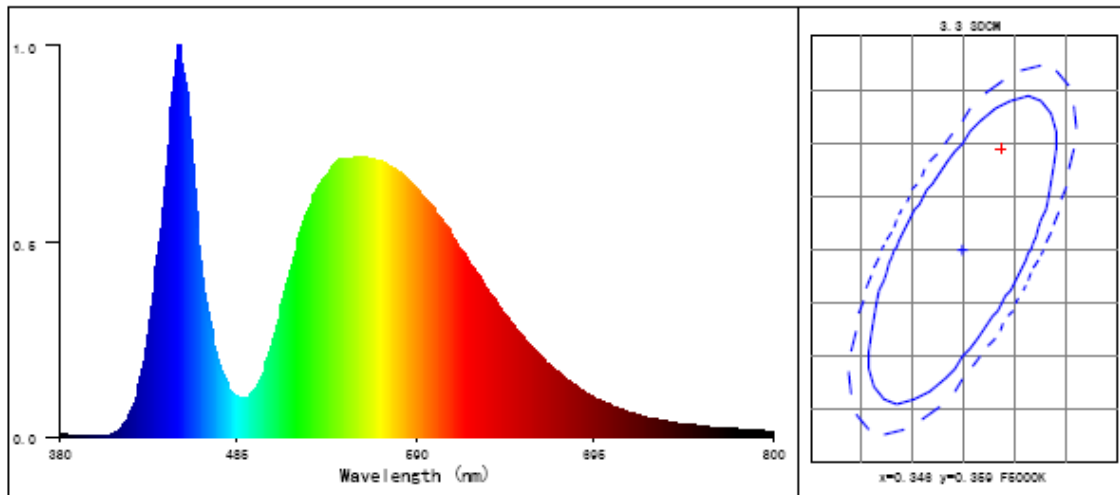


QM lighting

cool white

CIE Parameter:

Coordinate: $x=0.3499, y=0.3686$	CCT: $T_c=4883$ K	Purity=15.6%		
$u=0.2082, v=0.3289$	Main Wave=569.4nm	Peak Wave=450.0nm		
Half Width=22.5nm	Red Ratio=15.1%	Chromatism SDCM=3.3		
Color rendering property :Ra=69.0				
R1=65	R2=74	R3=79	R4=68	R5=65
R6=62	R7=83	R8=56	R9=-33	R10=36
R11=61	R12=28	R13=66	R14=88	R15=61



Other parameters:

Flux: $\Phi=248.7$ Lm	Efficiency: $Eff_i=69.3$ Lm/W	Stability: $\%=-1.2$ %	THD= 0.0%
Voltage: $U=100.3$ V	Current: $I=0.040$ A	Power: $P=3.6$ W	Power factor: $PF=0.906$

Add: 3F, HuShanRoad, No. 13, Daguangkan Industrial Zone, Bantian, LonggangDistrict, Shenzhen,

Guangdong, China

Tel: 86-755-84714721 Fax: 86-755-84714707

E-mail: qm@qmlighting.com

Website: www.qmlighting.com

Copyright© 2008 QM Lighting, Inc. All rights reserved.

version : 1.0

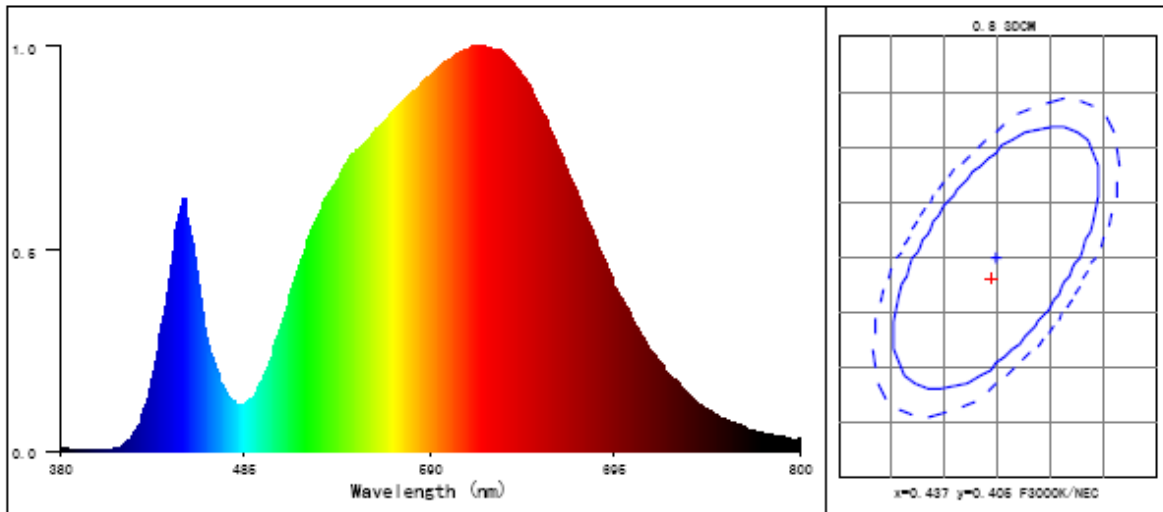


QM lighting

warm white

CIE Parameter:

Coordinate: $x=0.4363, y=0.4031$	OCT: $T_c=3003\text{ K}$	Purity=51.9%		
$u=0.2506, v=0.3473$	Main Wave=582.9nm	Peak Wave=620.0nm		
Half Width=166.8nm	Red Ratio=24.7%	Chromatism SDCM=0.8		
Color rendering property : $R_a=84.2$				
R1=85	R2=87	R3=88	R4=84	R5=82
R6=81	R7=90	R8=77	R9=44	R10=68
R11=81	R12=59	R13=84	R14=92	R15=83



Other parameters:

Flux: $\Phi=177.7\text{ Lm}$	Efficiency: $\text{Effi}=49.6\text{ Lm/W}$	Stability: $\%=-0.9\%$	THD= 0.0%
Voltage: $U=100.3\text{ V}$	Current: $I=0.041\text{ A}$	Power: $P=3.6\text{ W}$	Power factor: $\text{PF}=0.877$

Add: 3F, HuShanRoad, No. 13, Daguangkan Industrial Zone, Bantian, LonggangDistrict, Shenzhen,

Guangdong, China

Tel: 86-755-84714721 Fax: 86-755-84714707

E-mail: qm@qmlighting.com

Website: www.qmlighting.com

Copyright© 2008 QM Lighting, Inc. All rights reserved.

version : 1.0



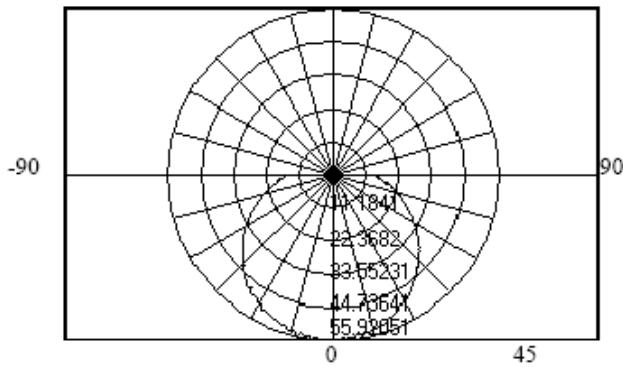
QM lighting

180° cool white Photometric Results

Lumens 211.24 lm
 Efficiency 85.18 %
 Central Intensity: 54.900 cd
 Maximum Intensity: 55.900 cd

Angle of maximum intensity: C: 10.0 G: 7.2
 Half Peak Side Left: -69.3 Right: 64.8
 Beam Angle(10%): Left: -90.0 Right: 90.0

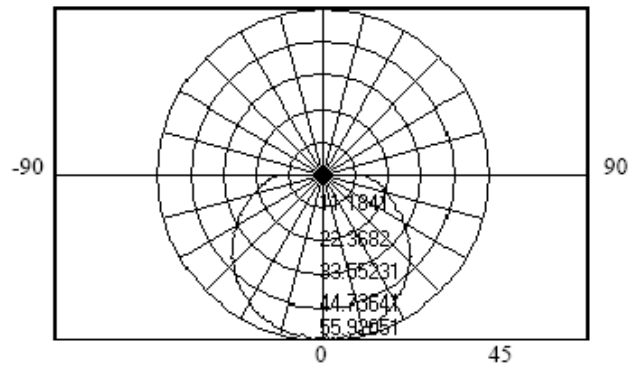
Light Distribution Curve C0/C180



H[m]	Diameter[m]	Illuminance[lx]
0.60	2.83	153.4
1.20	5.67	38.4
1.80	8.50	17.0
2.40	11.34	9.6
3.00	14.17	6.1

Half peak angle: 2 x 67.1° C0-C180

Light Distribution Curve C90/C270



H[m]	Diameter[m]	Illuminance[lx]
0.60	2.77	153.4
1.20	5.55	38.4
1.80	8.32	17.0
2.40	11.09	9.6
3.00	13.87	6.1

Half peak angle: 2 x 66.6° C90-C270

Add: 3F, HuShanRoad, No. 13, Daguangkan Industrial Zone, Bantian, LonggangDistrict, Shenzhen,

Guangdong, China

Tel: 86-755-84714721 Fax: 86-755-84714707

E-mail: qm@qmlighting.com

Website: www.qmlighting.com

Copyright© 2008 QM Lighting, Inc. All rights reserved.

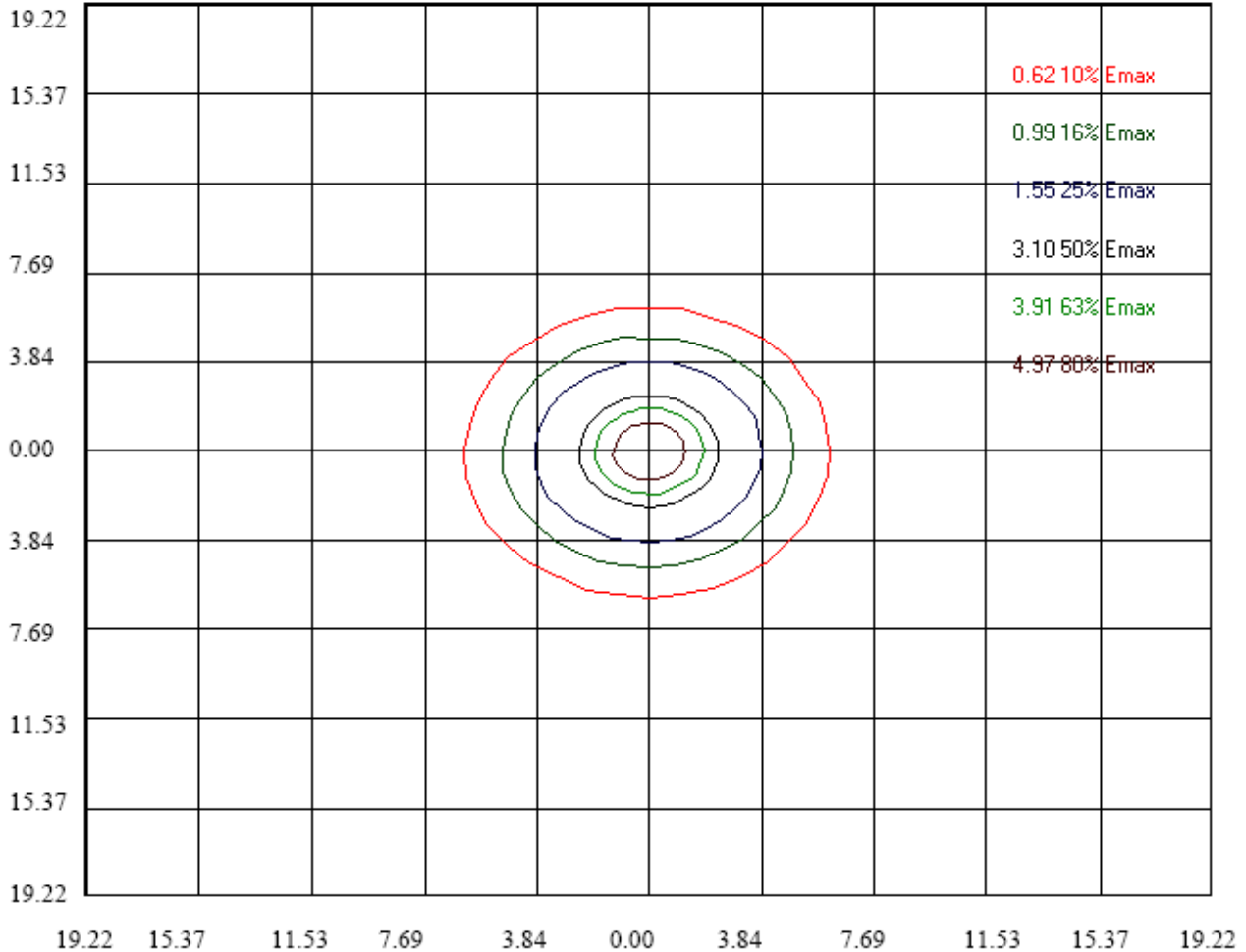
version : 1.0



QM lighting

Illumination map

Iso-Lux[lx]



Height: 3 m

Max Illuminance: 6.207 lx

Add: 3F, HuShanRoad, No. 13, Daguangkan Industrial Zone, Bantian, LonggangDistrict, Shenzhen,

Guangdong, China

Tel: 86-755-84714721 Fax: 86-755-84714707

E-mail: qm@qmlighting.com

Website: www.qmlighting.com

Copyright© 2008 QM Lighting, Inc. All rights reserved.

version : 1.0



QM lighting

180° warm white Photometric Results

Lumens 153.54 lm

Efficiency 86.26 %

Central Intensity: 40.000 cd

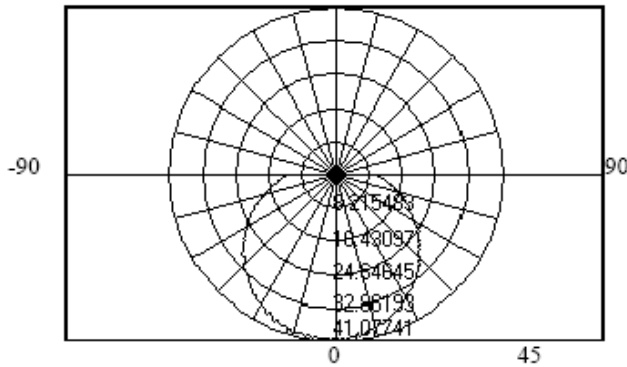
Maximum Intensity: 41.100 cd

Angle of maximum intensity: C: 60.0 G: 0.9

Half Peak Side Left: -67.5 Right: 64.8

Beam Angle(10%): Left: -90.0 Right: 90.0

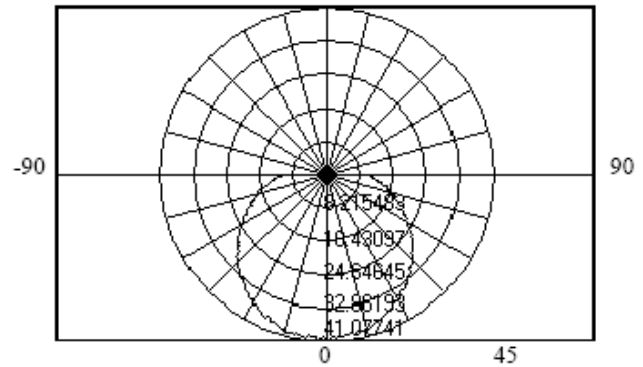
Light Distribution Curve C0/C180



H[m]	Diameter[m]	Illuminance[lx]
0.60	2.90	113.1
1.20	5.79	28.3
1.80	8.69	12.6
2.40	11.59	7.1
3.00	14.49	4.5

Half peak angle: 2 x 67.5°@ C0-C180

Light Distribution Curve C90/C270



H[m]	Diameter[m]	Illuminance[lx]
0.60	2.77	113.1
1.20	5.55	28.3
1.80	8.32	12.6
2.40	11.09	7.1
3.00	13.87	4.5

Half peak angle: 2 x 66.6°@ C90-C270

Add: 3F, HuShanRoad, No. 13, Daguangkan Industrial Zone, Bantian, LonggangDistrict, Shenzhen,

Guangdong, China

Tel: 86-755-84714721 Fax: 86-755-84714707

E-mail: qm@qmlighting.com

Website: www.qmlighting.com

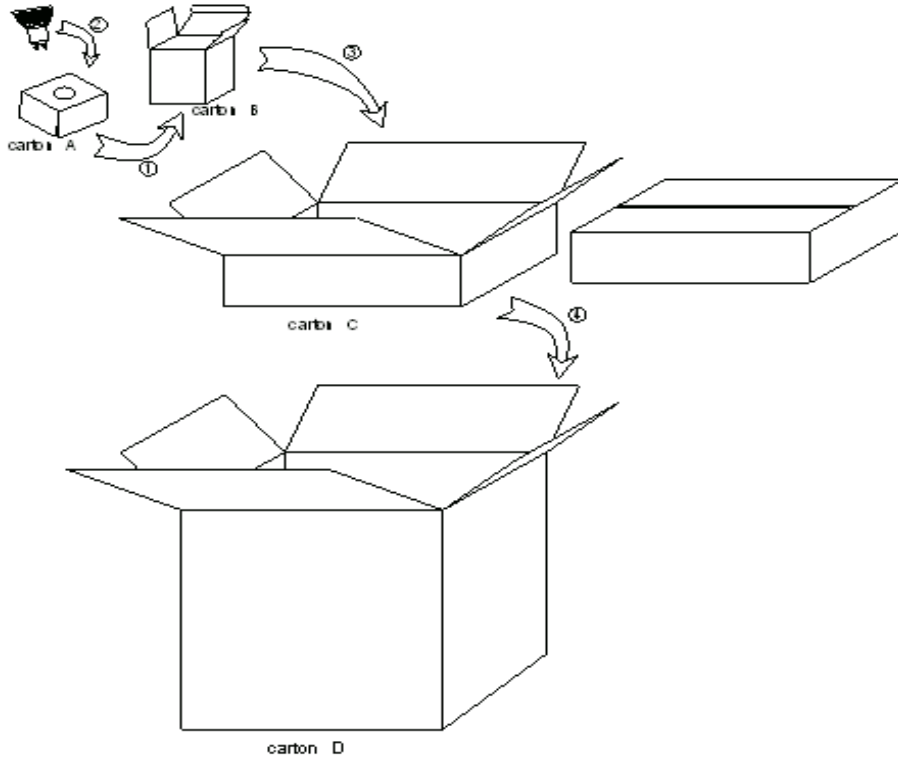
Copyright© 2008 QM Lighting, Inc. All rights reserved.

version : 1.0



QM lighting

Package Information



Packing Notice:

- 1.Qty/ctn:100pcs
- 2.Gross Weight:7.5kg
- 3.Size of carton:31X25X44CM
- 4.Handle with care

Add: 3F, HuShanRoad, No. 13, Daguangkan Industrial Zone, Bantian, LonggangDistrict, Shenzhen,

Guangdong, China

Tel: 86-755-84714721 Fax: 86-755-84714707

E-mail: qm@qmlighting.com

Website: www.qmlighting.com

Copyright© 2008 QM Lighting, Inc. All rights reserved.

version : 1.0