



QM lighting

QM-07013

G60 5×1-1W



Add: 3F, HuShanRoad, No. 13, Daguangkan Industrial Zone, Bantian, LonggangDistrict, Shenzhen,

Guangdong, China

Tel: 86-755-84714721 Fax: 86-755-84714707

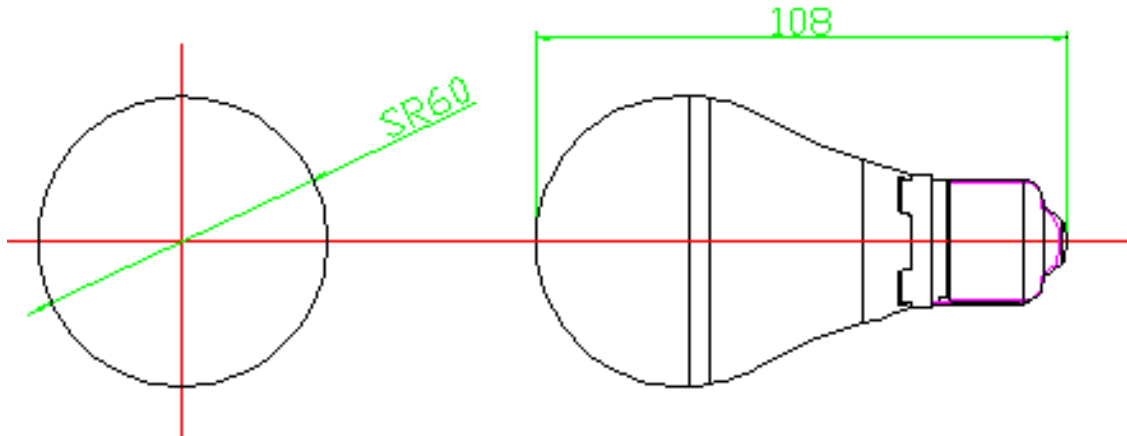
E-mail: qm@qmlighting.com

Website: www.qmlighting.com

Copyright© 2008 QM Lighting, Inc. All rights reserved.

version : 1.0

Dimensions



Unit: mm

Tolerance: ± 2.5 mm

Specifications

- BULB TYPE: G60 5X1W
- BASE TYPE: E27
- INPUT VOLTAGE: 85--260V AC with reversed polarity protect
- INPUT POWER: 5.3W
- OUTPUT POWER: 4.5W
- TOTAL LENGTH: 108mm
- BEAM ANGLE: 180degrees
- REFLECTOR EFFICIENCY: 85%
- LIGHT SOURCE: 5X1W high power LED
- LED OUTPUT CURRENT: 320mA
- BODY TEMPERATURE: $< 55^{\circ}\text{C}$
- LED WORKING TEMPERATURE: $-20^{\circ}\text{C} \sim 50^{\circ}\text{C}$
- FULL RANGE OF COLORS: cool white, warm white, blue, green, red, yellow, RGB
- NET WEIGHT: 125g
- ALUMINIUM HOUSING
- NO UV OR IR RADIATION
- SAFETY ASSURANCE: CE&RoHS

Illuminance and Beam Angles

part no.	LED Brand	Color	wavelength/CCT (nm/K)	Luminous Flux (LM)	Power	Color-rendering index	Light Effect (lm/W)
QM-07013-001	NICHIA	cool white	5000-7000K	397.5	5.3W	70 ~ 75	75.1
QM-07013-002		Nature white	3500-5000K	289.2	5.5W	80 ~ 85	52.9
QM-07013-003		warm white	2700-3500K	289.2	5.5W	80 ~ 85	52.9

Add: 3F, HuShanRoad, No. 13, Daguangkan Industrial Zone, Bantian, LonggangDistrict, Shenzhen,

Guangdong, China

Tel: 86-755-84714721 Fax: 86-755-84714707

E-mail: qm@qmlighting.com

Website: www.qmlighting.com

Copyright© 2008 QM Lighting, Inc. All rights reserved.

version : 1.0



QM lighting

cool white

Add: 3F, HuShanRoad, No. 13, Daguangkan Industrial Zone, Bantian, LonggangDistrict, Shenzhen,

Guangdong, China

Tel: 86-755-84714721 Fax: 86-755-84714707

E-mail: qm@qmlighting.com

Website: www.qmlighting.com

Copyright© 2008 QM Lighting, Inc. All rights reserved.

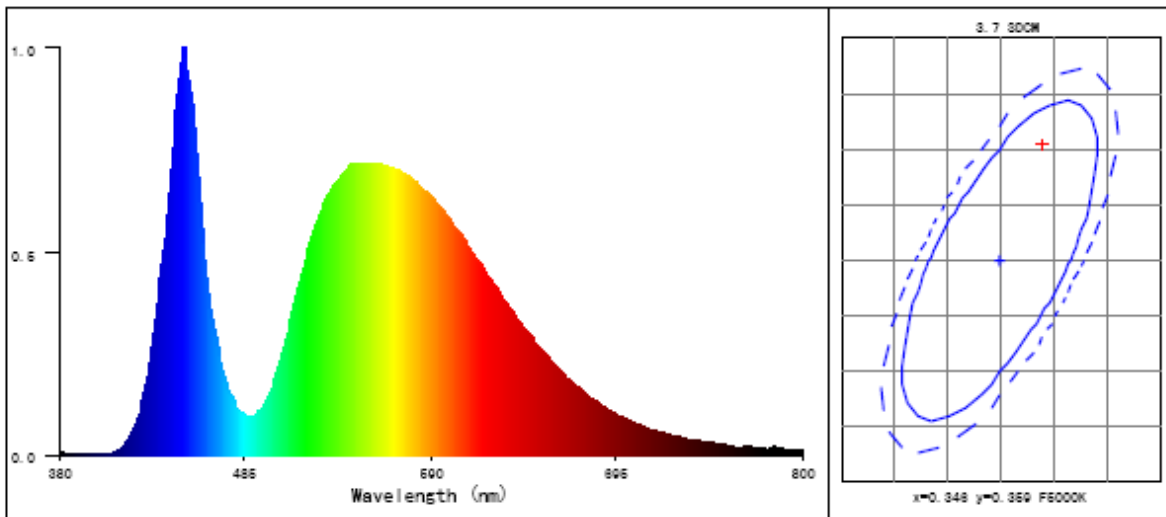
version : 1.0



QM lighting

CIE Parameter:

Coordinate: $x=0.3502, y=0.3696$	CCT: $T_c=4875$ K	Purity=16.0%		
$u=0.2080, v=0.3293$	Main Wave=569.2nm	Peak Wave=450.0nm		
Half Width=22.3nm	Red Ratio=15.1%	Chromatism SDCM=3.7		
Color rendering property :Ra=68.9				
R1=65	R2=74	R3=79	R4=68	R5=64
R6=62	R7=83	R8=56	R9=-34	R10=36
R11=60	R12=28	R13=66	R14=88	R15=61



Other parameters:

Flux: $\Phi=397.5$ Lm	Efficiency: $Eff_i=75.1$ Lm/W	Stability: $\%=-0.8$ %	THD= 0.0%
Voltage: $U=100.3$ V	Current: $I=0.063$ A	Power: $P=5.3$ W	Power factor: $PF=0.841$

warm white

Add: 3F, HuShanRoad, No. 13, Daguangkan Industrial Zone, Bantian, LonggangDistrict, Shenzhen,

Guangdong, China

Tel: 86-755-84714721 Fax: 86-755-84714707

E-mail: qm@qmlighting.com

Website: www.qmlighting.com

Copyright© 2008 QM Lighting, Inc. All rights reserved.

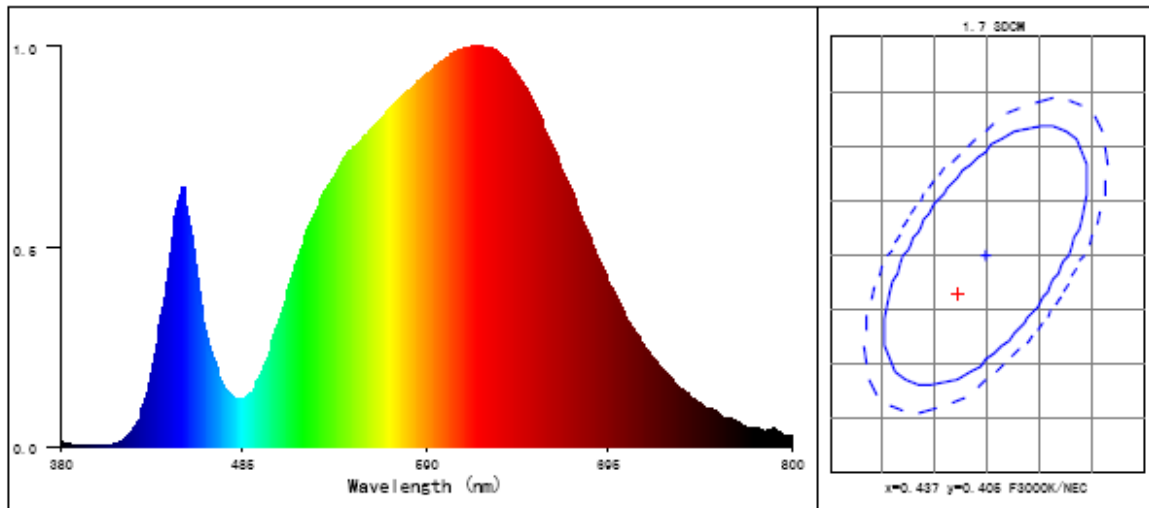
version : 1.0



QM lighting

CIE Parameter:

Coordinate: $x=0.4340, y=0.4012$	CCT: $T_c=3026$ K	Purity=50.7%		
$u=0.2499, v=0.3465$	Main Wave=583.0nm	Peak Wave=620.0nm		
Half Width=167.5nm	Red Ratio=24.6%	Chromatism SDCM=1.7		
Color rendering property :Ra=84.3				
R1=85	R2=88	R3=88	R4=84	R5=82
R6=81	R7=90	R8=77	R9=44	R10=69
R11=81	R12=59	R13=85	R14=92	R15=83



Other parameters:

Flux: $\Phi=289.2$ Lm	Efficiency: $Eff_i=52.9$ Lm/W	Stability: $\%=1.0$ %	THD= 0.0%
Voltage: $U=100.3$ V	Current: $I=0.066$ A	Power: $P=5.5$ W	Power factor: $PF=0.824$

Add: 3F, HuShanRoad, No. 13, Daguangkan Industrial Zone, Bantian, LonggangDistrict, Shenzhen,

Guangdong, China

Tel: 86-755-84714721 Fax: 86-755-84714707

E-mail: qm@qmlighting.com

Website: www.qmlighting.com

Copyright© 2008 QM Lighting, Inc. All rights reserved.

version : 1.0



QM lighting

180° cool white

Photometric Results

Lumens 328.70 lm

Efficiency 82.59 %

Central Intensity: 87.300 cd

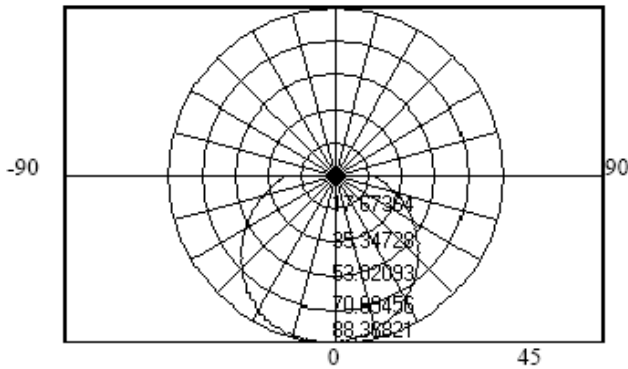
Maximum Intensity: 88.400 cd

Angle of maximum intensity: C: 20.0 G: 5.4

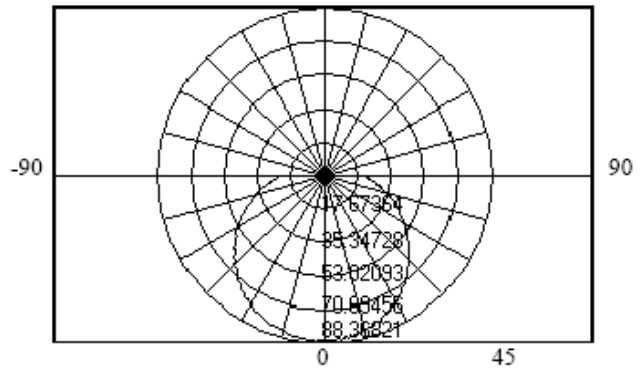
Half Peak Side Left: -69.3 Right: 63.9

Beam Angle(10%): Left: -90.0 Right: 90.0

Light Distribution Curve C0/C180



Light Distribution Curve C90/C270



H(m)	Diameter(m)	Illuminance[lx]
0.60	2.71	243.5
1.20	5.43	60.9
1.80	8.14	27.1
2.40	10.86	15.2
3.00	13.57	9.7

Half peak angle: 2 x 66.2° C0-C180

H(m)	Diameter(m)	Illuminance[lx]
0.60	2.71	243.5
1.20	5.43	60.9
1.80	8.14	27.1
2.40	10.86	15.2
3.00	13.57	9.7

Half peak angle: 2 x 66.2° C90-C270

Illumination map

Add: 3F, HuShanRoad, No. 13, Daguangkan Industrial Zone, Bantian, LonggangDistrict, Shenzhen,

Guangdong, China

Tel: 86-755-84714721 Fax: 86-755-84714707

E-mail: qm@qmlighting.com

Website: www.qmlighting.com

Copyright© 2008 QM Lighting, Inc. All rights reserved.

version : 1.0

Photometric Results

Lumens 247.07 lm

Efficiency 85.49 %

Central Intensity: 66.300 cd

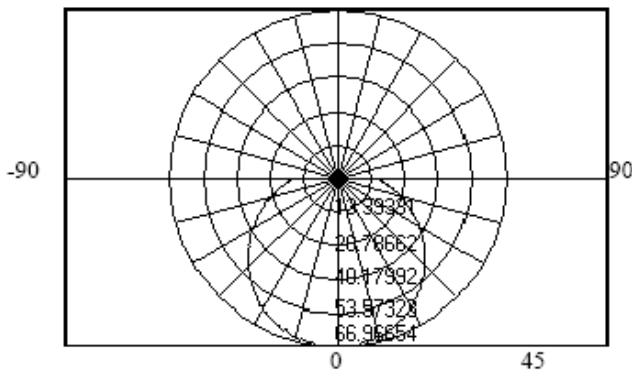
Maximum Intensity: 67.000 cd

Angle of maximum intensity: C: 0.0 G: 0.9

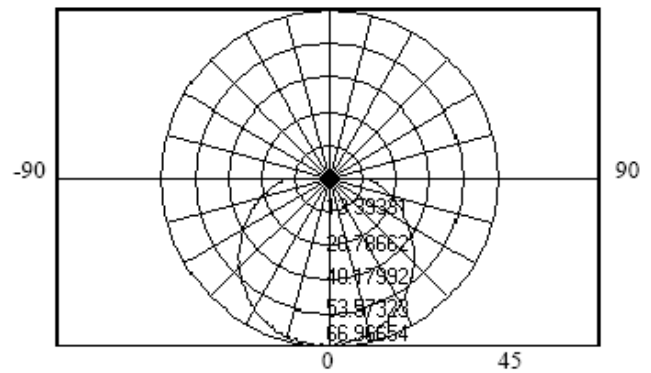
Half Peak Side Left: -66.6 Right: 65.7

Beam Angle(10%): Left: -90.0 Right: 90.0

Light Distribution Curve C0/C180



Light Distribution Curve C90/C270



H[m]	Diameter[m]	Illuminance[lx]
0.60	2.71	184.1
1.20	5.43	46.0
1.80	8.14	20.5
2.40	10.86	11.5
3.00	13.57	7.4

Half peak angle: 2 x 66.1°@ C0-C180

H[m]	Diameter[m]	Illuminance[lx]
0.60	2.66	183.1
1.20	5.32	45.8
1.80	7.97	20.3
2.40	10.63	11.4
3.00	13.29	7.3

Half peak angle: 2 x 65.7°@ C90-C270

Illumination map

Add: 3F, HuShanRoad, No. 13, Daguangkan Industrial Zone, Bantian, LonggangDistrict, Shenzhen,

Guangdong, China

Tel: 86-755-84714721 Fax: 86-755-84714707

E-mail: qm@qmlighting.com

Website: www.qmlighting.com

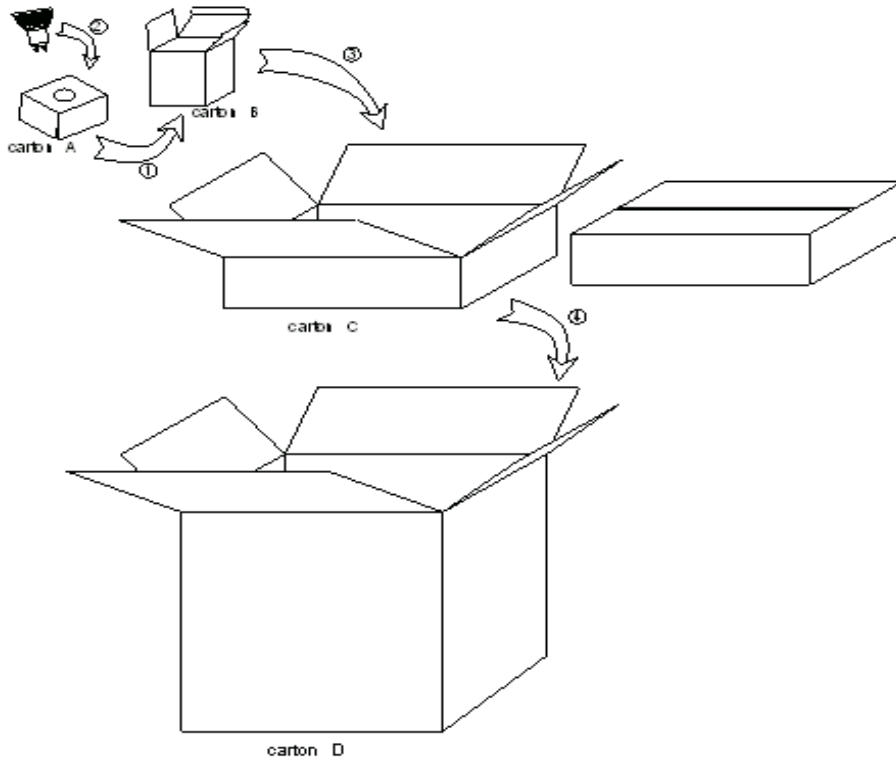
Copyright© 2008 QM Lighting, Inc. All rights reserved.

version : 1.0



QM lighting

Package Information



Packing Notice:

- 1.Qty/ctn:100pcs
- 2.Gross Weight:7.5kg
- 3.Size of carton:31X25X44CM
- 4.Handle with care

Add: 3F, HuShanRoad, No. 13, Daguangkan Industrial Zone, Bantian, LonggangDistrict, Shenzhen,

Guangdong, China

Tel: 86-755-84714721 Fax: 86-755-84714707

E-mail: qm@qmlighting.com

Website: www.qmlighting.com

Copyright© 2008 QM Lighting, Inc. All rights reserved.

version : 1.0

10